



[www.vortice-export.com](http://www.vortice-export.com)

# PUNTO EVO RANGE

Wall axial fan



**NEW**

# Key Features

**LONG LIFE** 30.000 h

**Low power consumption**

- .5W for models Ø100
- .10W for models Ø120

**IP45**

- High protection against jets of water
- Suitable for installation in ZONE 1

**Extremely quiet**

- 20.8 Lp dB(A) for models Ø100
- 24.0 Lp dB(A) for models Ø120



**Unique design**

**Reduced depth**

- 61.5 mm for models Ø100
- 71 mm for models Ø120
- Hassle-free installation

**2 speeds**

**High performance**

- .95 m<sup>3</sup>/h for models Ø100
- .175 m<sup>3</sup>/h for models Ø120

at maximum speed

**Compact size**

- 159 mm for models Ø100
- 179 mm for models Ø120



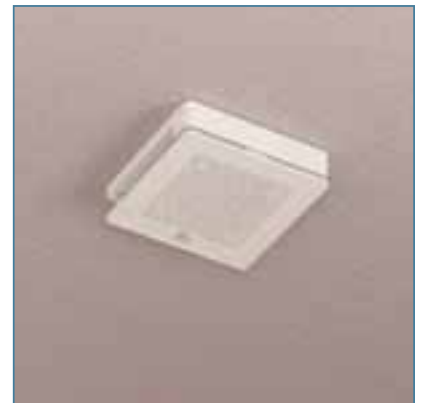
VDE approved product



# Product Specifications

- 10 models, 5 versions, 2 diameters (100 and 120 mm).
- Front panel, motor holder and integrated backdraught shutter made of ABS thermoplastic shockproof and anti-UV resin.
- Helico-centrifugal mixed-flow impellers made of PP resin.
- Impellers and motor holder specifically designed for high performance, low power consumption and low noise emissions.
- Integrated butterfly backdraught shutter designed to prevent unwanted air inflows when the appliance is switched off.
- Long-life ball-bearing motors guaranteed for 30,000 hours continuous trouble-free operation.
- Designed to provide a low environmental impact, using recyclable materials and following the new “Design for Disassembly” technique to achieve easy and environmentally friendly disposal of components.
- Protection rating: IP45.
- Insulation class: II. □

# Installations



- Ideal for intermittent or continuous ventilation.
- Designed for direct air extraction outside or through short ducts.
- Typical wall/panel, false wall, ceiling and false ceiling installations.
- The reduced mounting depth makes it ideal to fit even when the installation space is limited due to the proximity of elbow bends (90°).

# Range



## Punto Evo



- The **Basic** version is equipped with a 2-speed PCB.

Models:

**ME 100/4" LL** (code 11260)

**ME 120/5" LL** (code 11270)



## Punto Evo Timer



- The **Timer** version is equipped with a PCB for time-lagged appliance switch-off. The appliance is preset for a minimum operating time of 3 minutes; it is possible to adjust the timer from approximately 3 to 20 minutes. The appliance switches on automatically straight after the light is switched on and continues to run for the set time after the light is switched off. During installation you can choose the operating speed of the appliance, min. or max. speed.

Models:

**ME 100/4" LL T** (code 11264)

**ME 120/5" LL T** (code 11274)

## Punto Evo Timer Plus



- The **Timer Plus** version is equipped with a PCB that enables time-lagged switching on and/or off of the appliance at the min. or max. speed. The time lag for switching on and off, as well as the operating speed, are set during installation. In addition, the appliance can run automatic switch-on daily cycles. This function is very useful to avoid the concentration of relative humidity in environments rarely inhabited.

Models:

**ME 100/4" LL TP** (code 11261)

**ME 120/5" LL TP** (code 11271)



## Punto Evo Timer Plus HCS



- The **Timer Plus HCS** version features a PCB with a Timer Evoluto and a humidity sensor able to automatically activate the appliance whenever the ambient relative humidity values exceed the preset limit or when it grows rapidly. The factory preset value is 70%. The relative humidity value can in any case be set by the installer on 4 values: 60%, 70%, 80%, 90%. The PCB moreover permits time-lagged switching on and/or off at the min. or max. speed.

Models:

**ME 100/4" LL TP HCS** (code 11262)

**ME 120/5" LL TP HCS** (code 11272)



## Punto Evo Timer PIR



- The **Timer PIR** version features a PCB with an infrared presence sensor able to automatically activate the appliance whenever anyone is in its range of action. In addition, thanks to the Timer, the PCB enables time-lagged switch-off, for a preset time adjustable from 3 to 20 minutes. The switch-off time, as well as the operating speed (min. or max. speed), can be set during installation.

Models:

**ME 100/4" LL T PIR** (code 11263)

**ME 120/5" LL T PIR** (code 11273)

# Applications



# Technical Data

Models	Code	V ~ 50 Hz	W min/max	A min/max	RPM min/max	Max Airflow		Max Pressure		Lp dB(A) 3m min/max
						m <sup>3</sup> /h min/max	l/s min/max	mmH <sub>2</sub> O min/max	Pa min/max	
ME 100/4" LL	11260	230	5/9	0.039/0.052	1700/2240	65/95	18.1/26.4	2.5/4.7	24.52/46.09	20.8/26.9
ME 100/4" LL T	11264									
ME 100/4" LL TP	11261									
ME 100/4" LL TP HCS	11262									
ME 100/4" LL T PIR	11263									
ME 120/5" LL	11270		10/13	0.060/0.080	1490/2070	120/175	33.3/48.6	2.3/5	22.56/49.04	24.0/32.3
ME 120/5" LL T	11274									
ME 120/5" LL TP	11271									
ME 120/5" LL TP HCS	11272									
ME 120/5" LL T PIR	11273									

## European Directives

Conforms to the standards: EN 60335-1, EN 60335-2-80, EN 60529, EN 62233

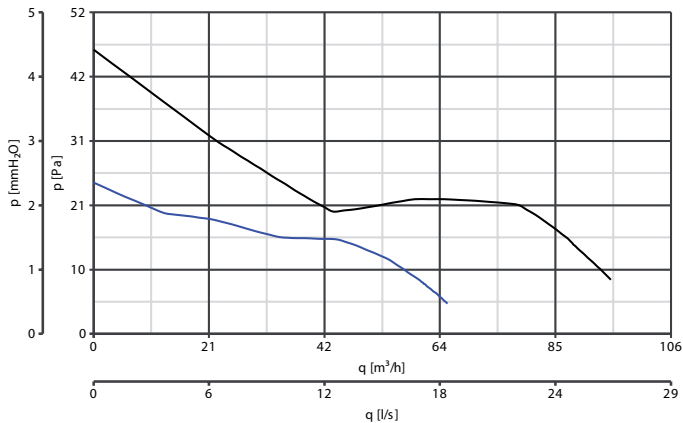
Performance checked according to: CEI 107-53/1998 (test method complies with EN 13141-4)

EMC: EN 55014-1, EN 55014-2, EN 61000-3-2, EN 61000-3-3

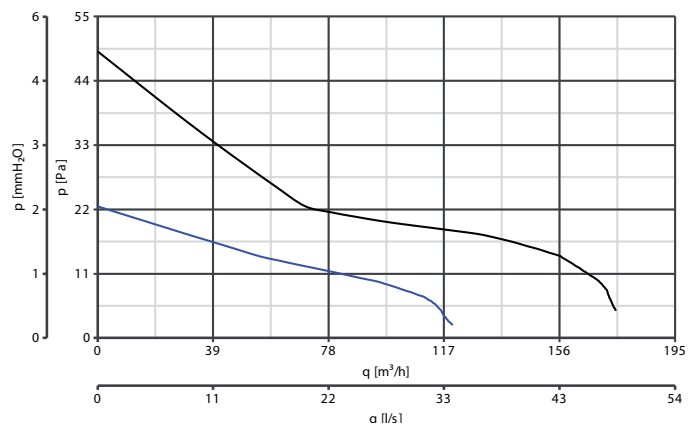
European Directives for CE marking: Low Voltage Directive (2006/95/CE)  
EMC (2004/108/CE)

## Performance Curves

ME 100/4"



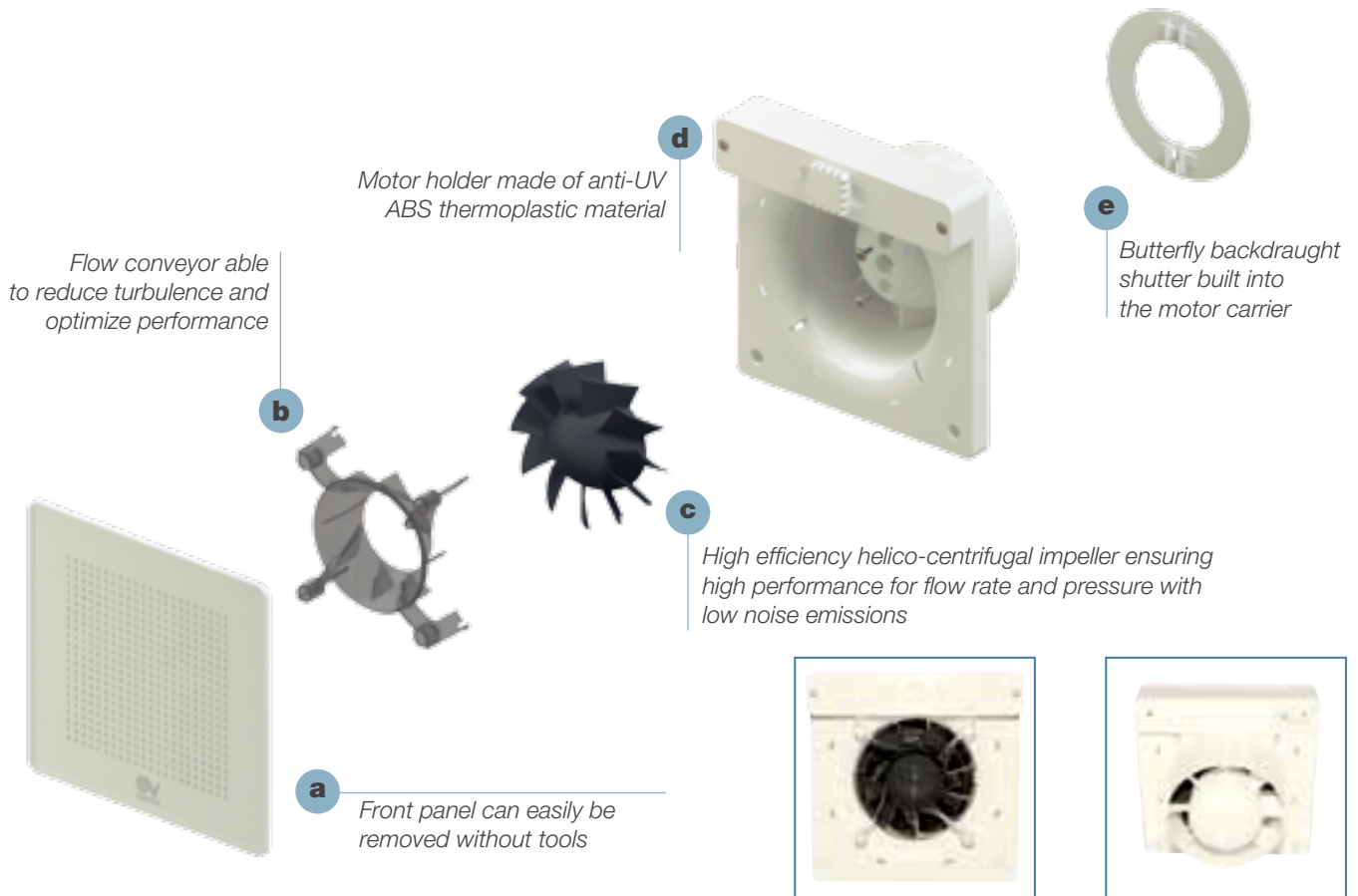
ME 120/5"



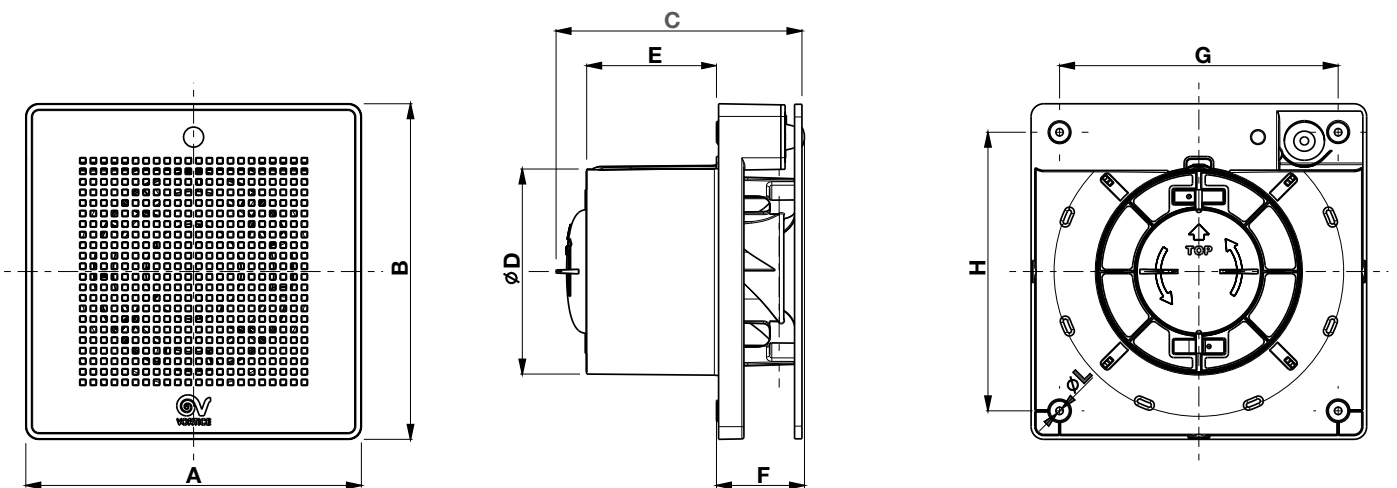
— min.  
— max.



# Exploded View



# Dimensions



Models	A	B	C	Ø D	E	F	G	H	Ø L	Kg
ME 100/4"	159	159	116.5	98	61.5	40.5	132	132	3.5	0.60
ME 100/4" PIR			118			42				
ME 120/5"	179	179	127	118	71	42.5	152	152		0.77
ME 120/5" PIR			128.5			44				

Dimensions (mm)



# PUNTO EVO RANGE

## Wall axial fan



Code 5.170.084.673

11/13

Vortice Elettrosociali S.p.A  
Strada Cerca, 2  
Frazione di Zoate  
20067 Tribiano (Milano)  
Tel. (+39) 02 906991  
Fax (+39) 02 90699314  
Italia  
[www.vortice-export.com](http://www.vortice-export.com)  
[export@vortice-italy.com](mailto:export@vortice-italy.com)

Vortice France  
15-33, Rue Le Corbusier  
CS 30007  
94046 Créteil Cedex  
Tél. (+33) 1.55.12.50.00  
Fax (+33) 1.55.12.50.01  
France  
[www.vortice-france.com](http://www.vortice-france.com)  
[contact@vortice-france.com](mailto:contact@vortice-france.com)

Vortice Limited  
Beeches House-Eastern Avenue  
Burton on Trent  
DE13 0BB  
Tel. (+44) 1283-49.29.49  
Fax (+44) 1283-54.41.21  
United Kingdom  
[www.vortice.ltd.uk](http://www.vortice.ltd.uk)  
[sales@vortice.ltd.uk](mailto:sales@vortice.ltd.uk)

