

INSTRUCTION MANUAL

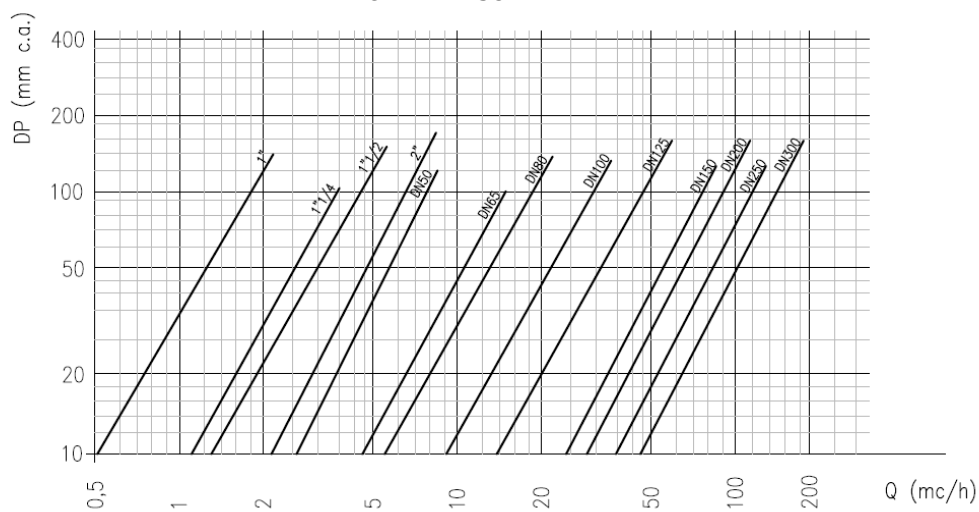
NEW THERMOMIX



MECHANICAL SLUDGE REMOVER FILTER FOR SEDIMENTS IN TECHNICAL WATER DEVICE FOR WATER TREATMENT

Keep the technical manual carefully. The non-observance of the instructions described will void the product warranty. Euroacque assumes no responsibility for any defects related to non-observance of the manual.

FLOW RATE SCHEME



It is mandatory to clean the filter regularly in order to keep the proper performance.

TYPE: SLUDGE REMOVER FILTER

Sludge remover with a filling system for chemicals into heating systems. suitable for closed circuit systems. Thanks to the inner deflectors, the sludge, oxides and sediments are stored at the bottom of the system and then discharged through the drain valve.

TECHNICAL INFORMATION:

To be used on heating and cooling systems (if glycol percentage is less than 30%).
Working Temperature: -10 °C to + 110 °C.
Fluid max speed: 1,2 m/s.
Equipped with a stainless steel filtering cartridge. Filtration rates available: 80-100-150-200 microns.

MATERIALS:

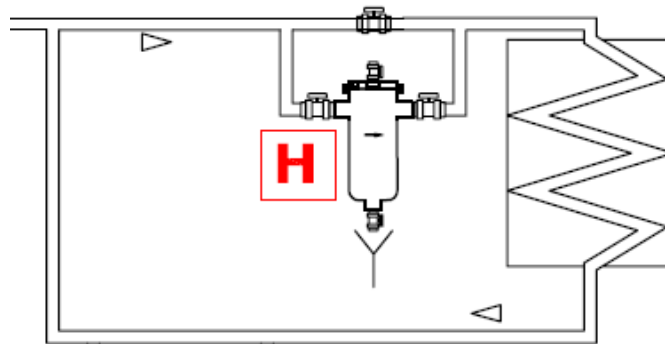
Seamed electro unalloyed steel tube, welding UNI 7091/72
Tube marks
DIN 2458 ST37.0 WB WI TCB
DIN 2458 ST 37.0 WA TCB
Electrolytic cold galvanizing + insulating paint

WATER VALUES:

the water values to be modified when subject to the treatment with THERMOMIX are: Turbidity.

INSTALLATION:

to be done on the return circuit to protect the boiler.
Clean the plant carefully (use EUROPROTECT or EUROSPEED if existing plant – XSDEC/BIO if new plant) before installing the filter.
Installation in vertical only.



HEATING CLOSED CIRCUIT

MAINTENANCE:

Discharge the dirt regularly. It is suggested to install a by-pass between the filter and the boiler.

TROUBLESHOOTING:

index of the most common problems. In case of further needs contact the manufacturer or an authorized dealer or service.

CAUSE	SOLUTION
Low Pressure	Clean the filter
Little water leakage	Clean the drain valve

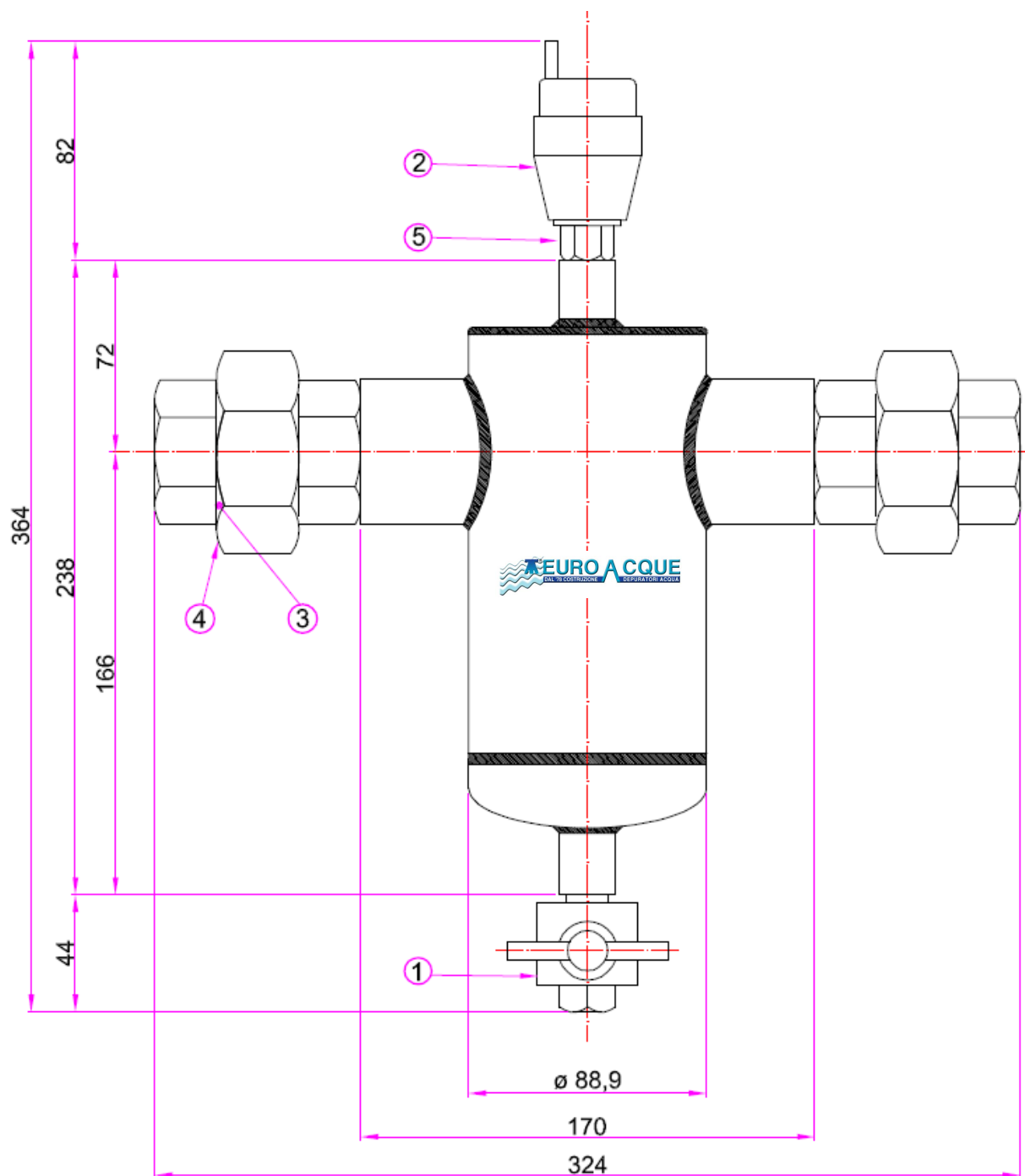
WARRANTY:

2 Years. It is suggested a regular maintenance to keep the filter working properly.

QUALITY AND COMPLIANCE CERTIFICATIONS:

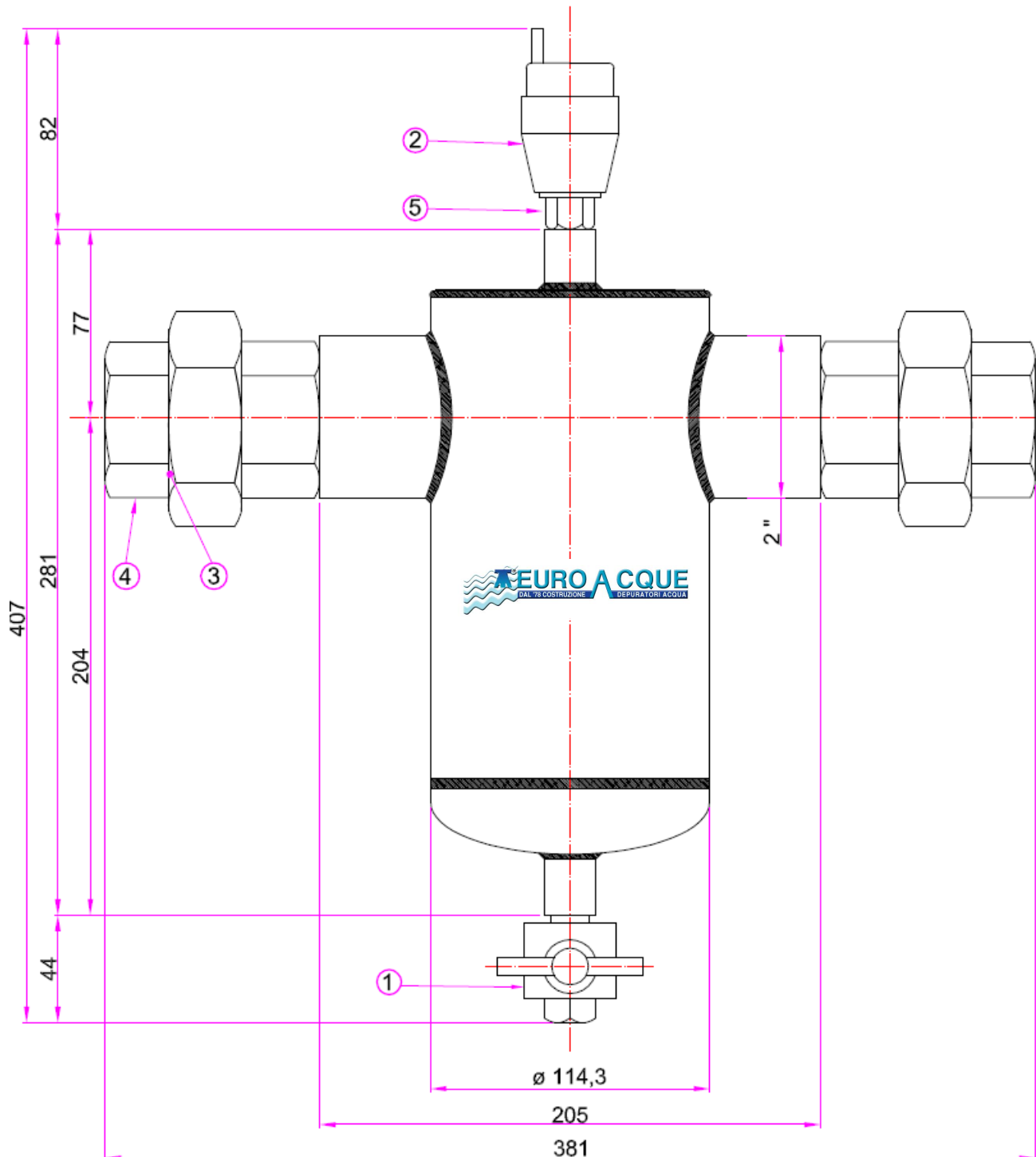


THERMOMIX 2015 _ 1.1/2"



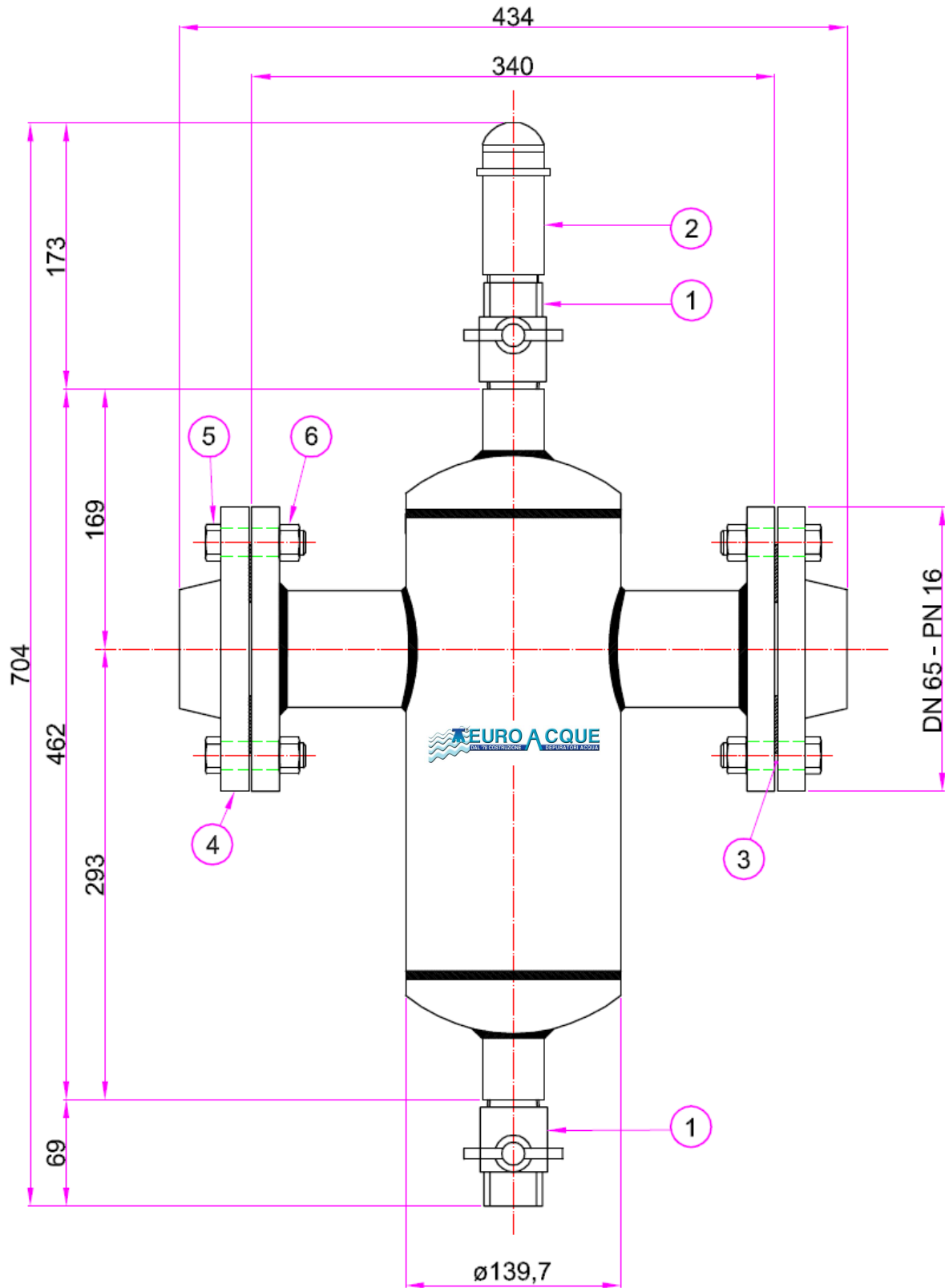
DIMENSION ARE INDICATIVE AND MAY BE VARIED

THERMOMIX 2015 __ 2"



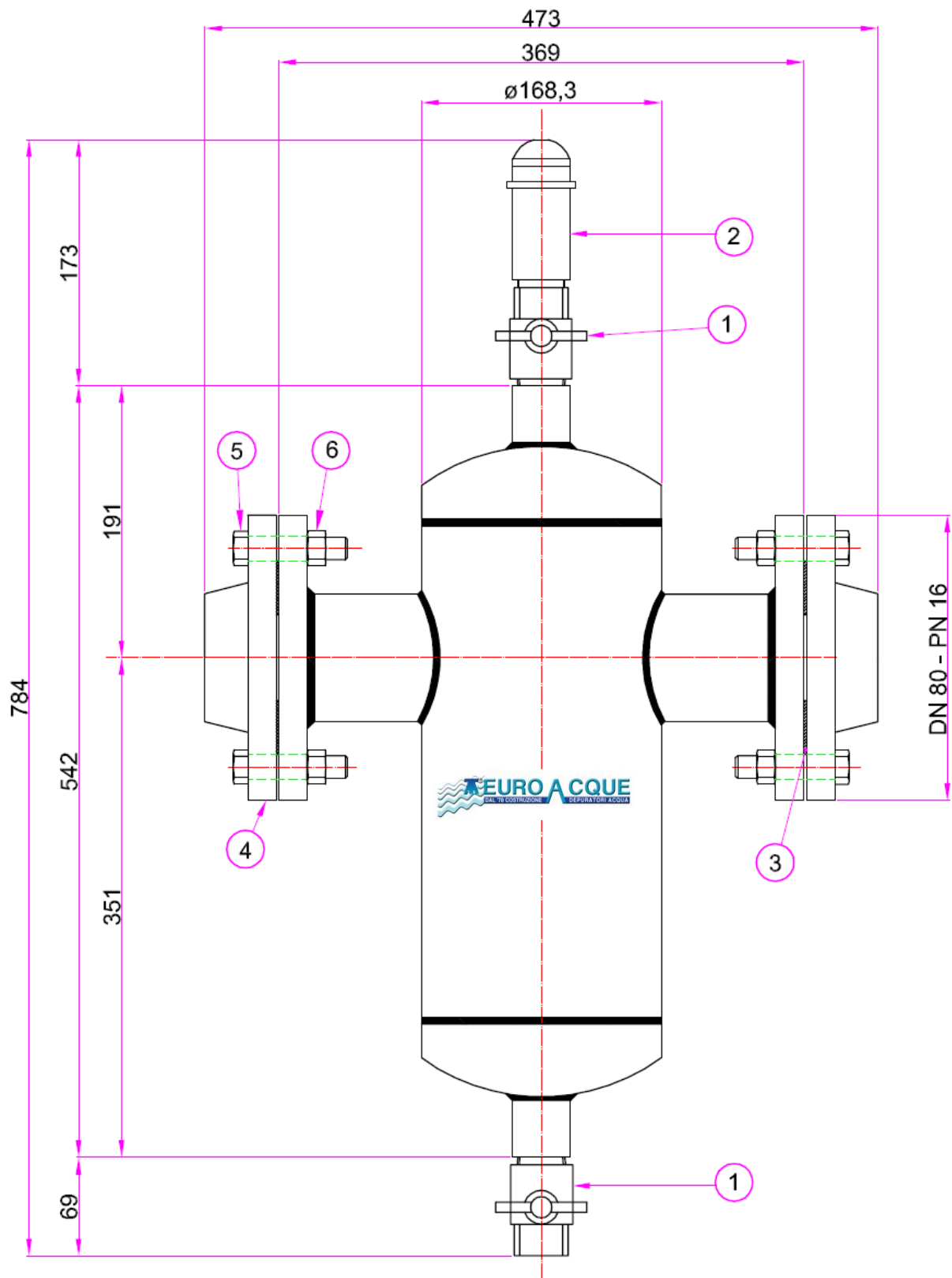
DIMENSION ARE INDICATIVE AND MAY BE VARIED

THERMOMIX 2015 DN 65



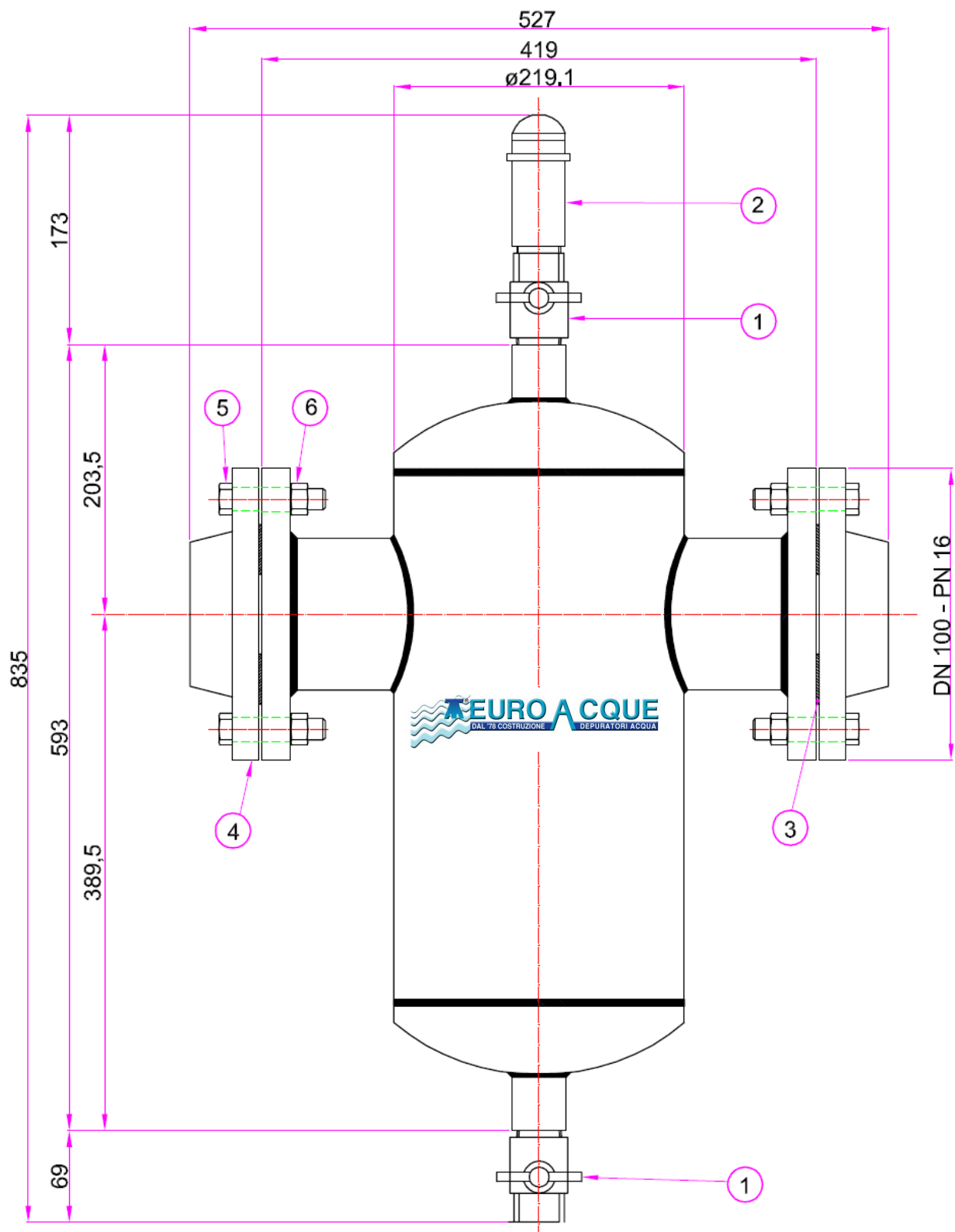
DIMENSION ARE INDICATIVE AND MAY BE VARIED

THERMOMIX 2015 __ DN80



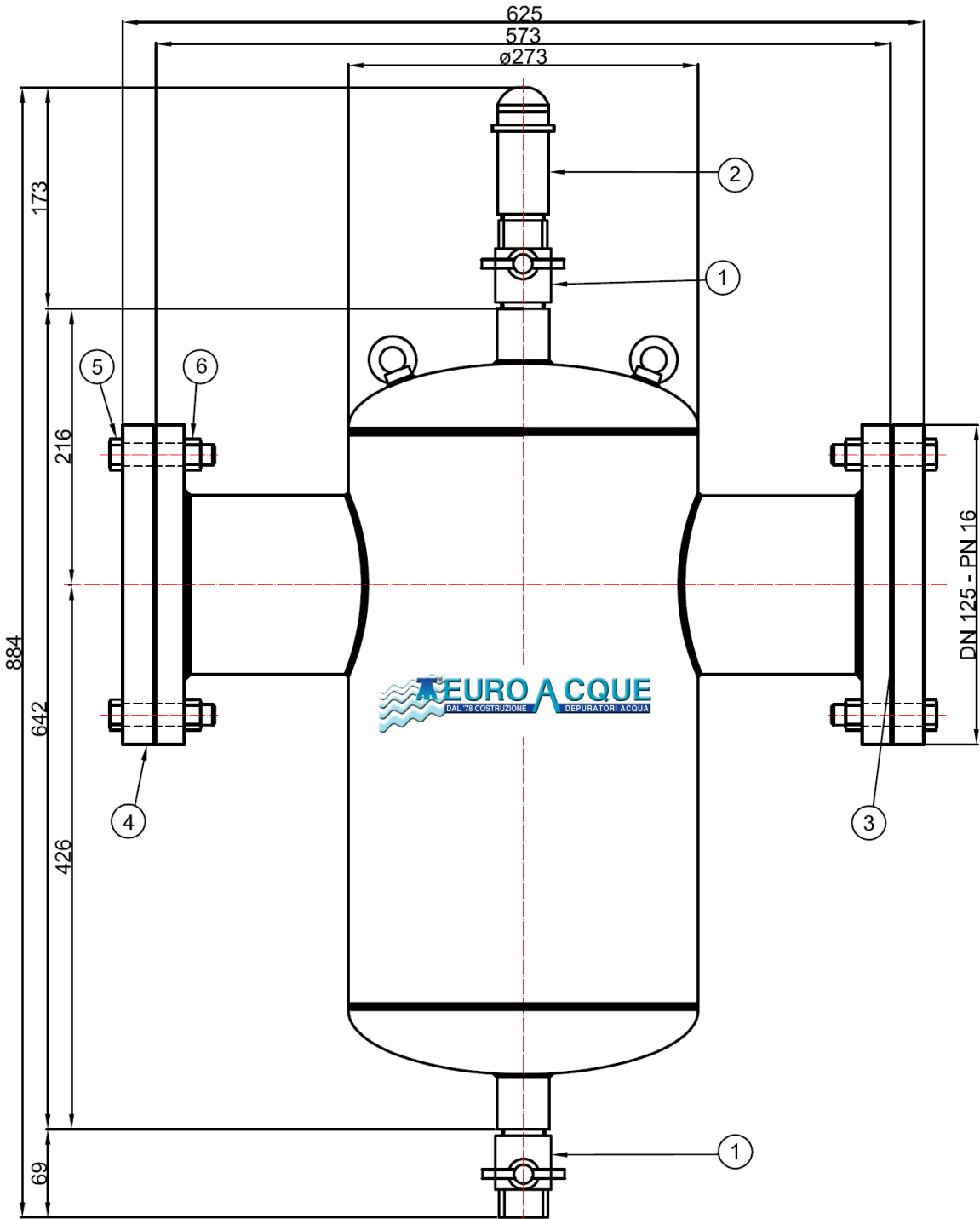
DIMENSION ARE INDICATIVE AND MAY BE VARIED

THERMOMIX 2015 _ DN100



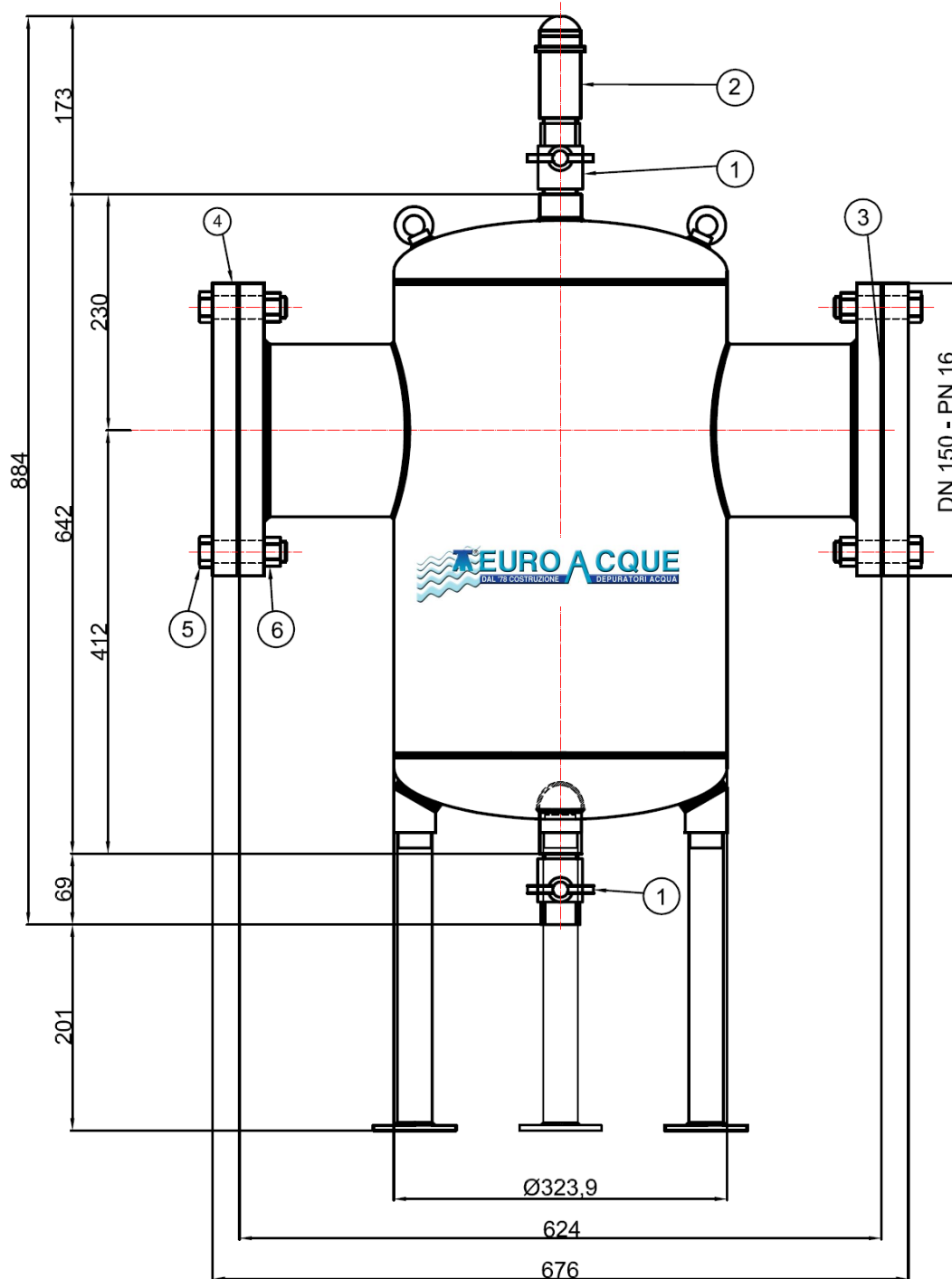
DIMENSION ARE INDICATIVE AND MAY BE VARIED

THERMOMIX 2015 _ DN125



DIMENSION ARE INDICATIVE AND MAY BE VARIED

THERMOMIX 2015 _ DN 150



DIMENSION ARE INDICATIVE AND MAY BE VARIED