

STAINLESS STEEL Y STRAINER PN16



Size : DN 1/4" to 2"
Ends : Female - Female BSP
Min Temperature : - 20°C
Max Temperature : + 200°C
Max Pressure : 16 Bars
Specifications : With draining cap
Removable stainless steel filter

Materials : Stainless steel

STAINLESS STEEL Y STRAINER PN16

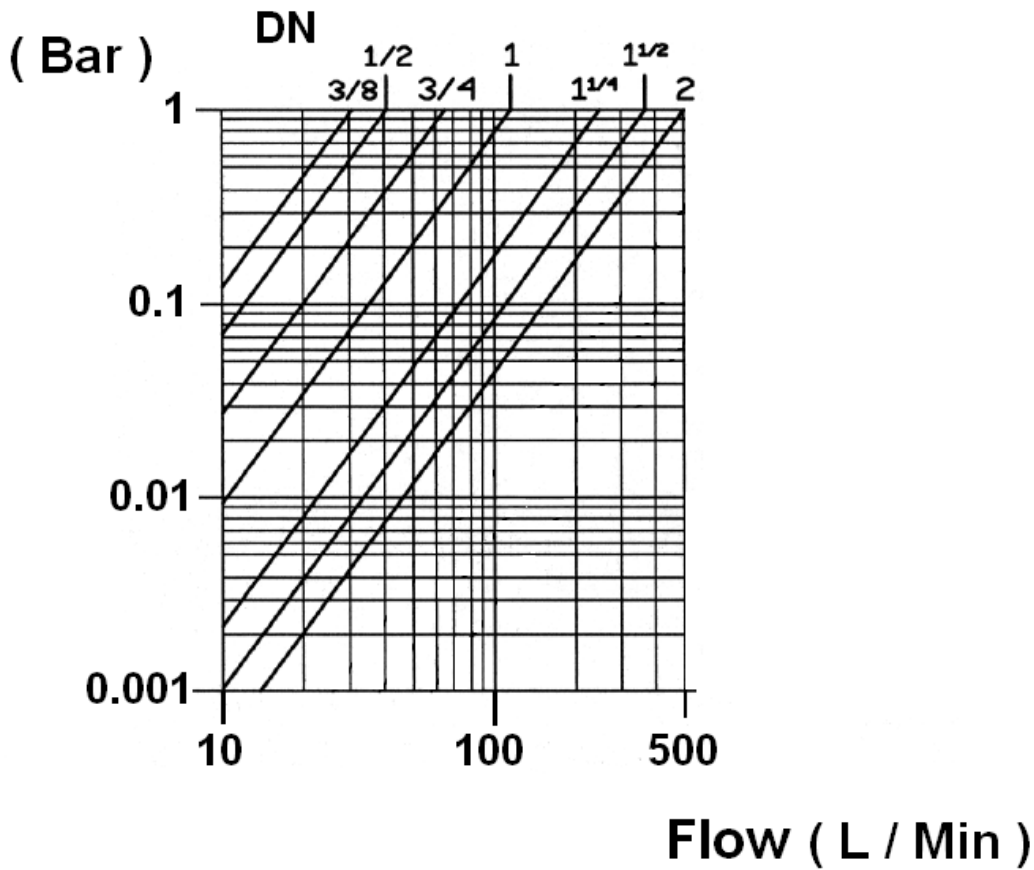
SPECIFICATIONS :

- With draining cap
- Removable stainless steel filter
- Respect the flow direction indicated by the arrow
- Horizontal or vertical position with descendant fluid
- Mesh 10/10° mm (1000 μ)

USE :

- For common fluids of 2nd group
- Min and max Temperature Ts : - 20°C to + 200°C
- Max Pressure Ps : 16 bars

HEAD LOSS GRAPH :

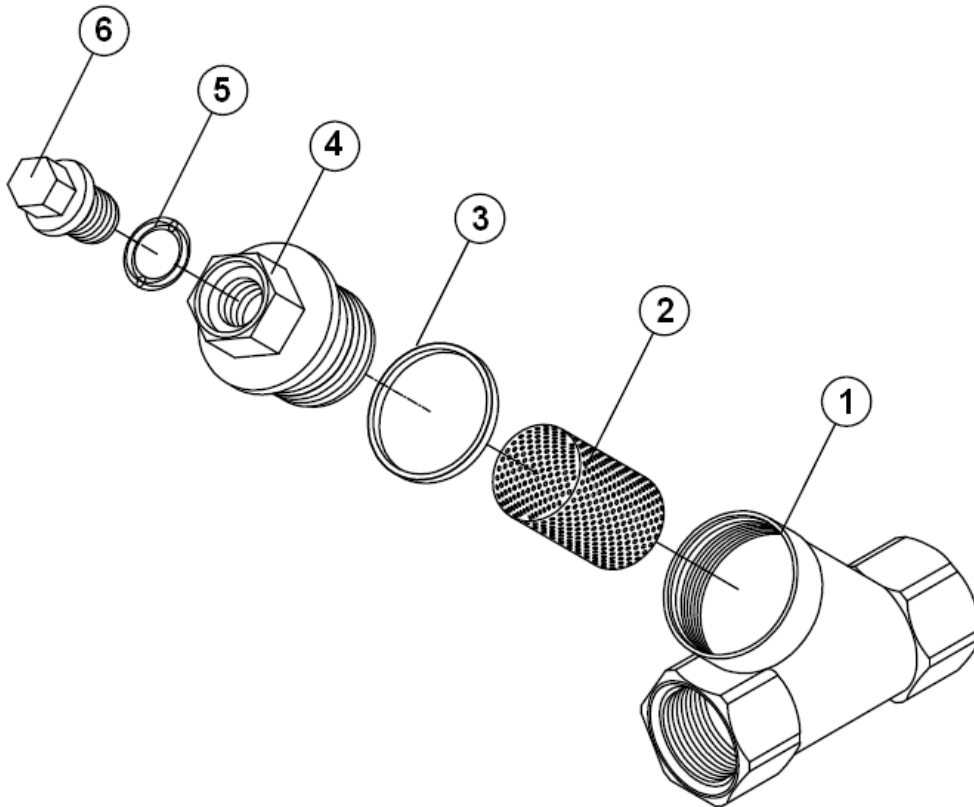


RANGE :

- Stainless steel threaded female BSP cylindric **Ref. 230** from DN 1/4" to DN 2"

STAINLESS STEEL Y STRAINER PN16

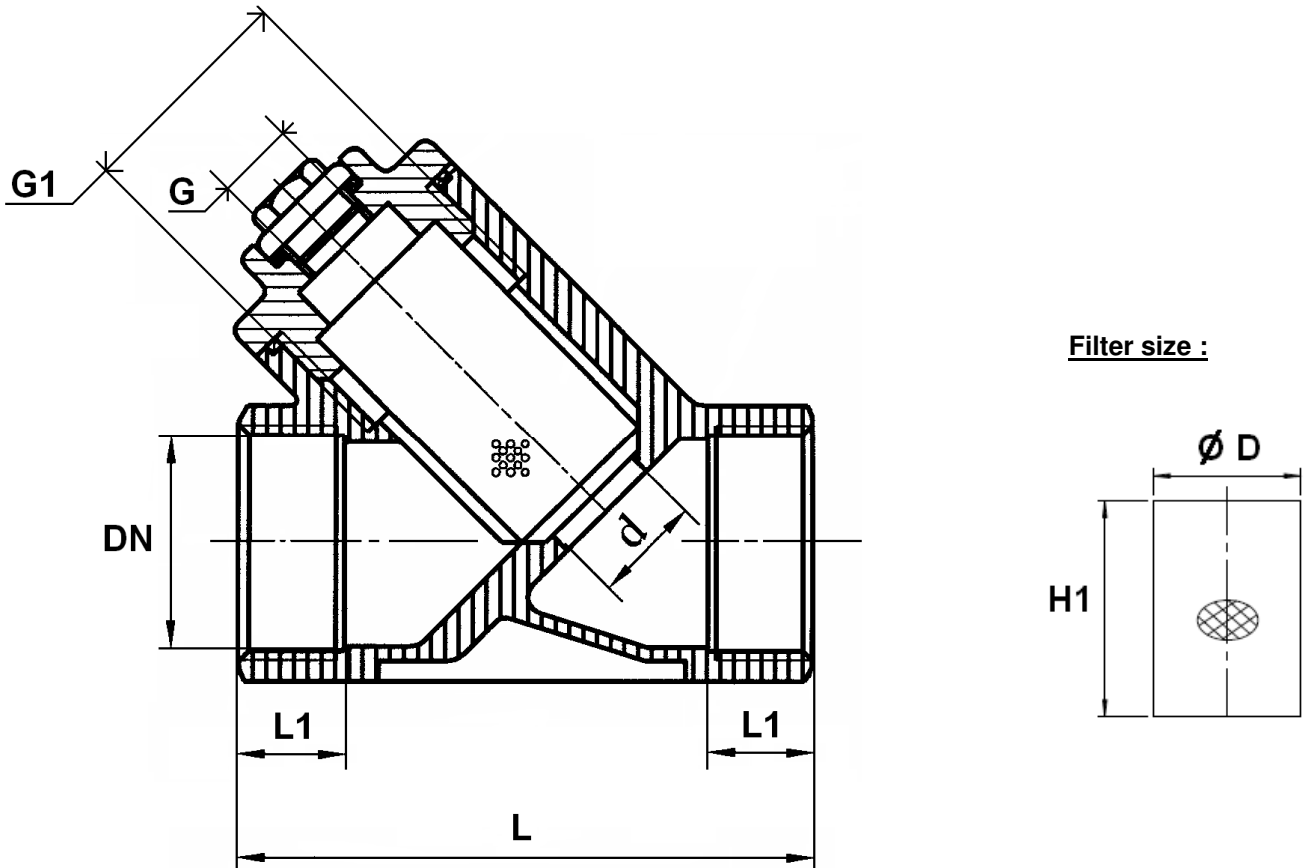
MATERIALS :



Item	Designation	Materials
1	Body	ASTM A351 CF8M
2	Filter	SS 304
3	Body gasket	PTFE
4	Bonnet	ASTM A351 CF8M
5	Cap gasket	PTFE
6	Cap	ASTM A351 CF8M

STAINLESS STEEL Y STRAINER PN16

SIZE (in mm) :



REF.	DN	1/4"	3/8"	1/2"	3/4"	1"	1"1/4	1"1/2	2"
230	L	64	64	64	80	89	106.5	118	139
	L1	12	12	13	14.5	16.5	19	19	23
	Ø d	10.5	12.5	15	20	25	32	38	50
	G	1/4"	1/4"	1/4"	1/4"	3/8"	1/2"	1/2"	3/4"
	G1	23.8 x 1.5	23,8 x 1.5	23,8 x 1.5	29,5 x 1.5	39.8 x 1.5	41,8 x 1.5	49,8 x 1.5	49,8 x 1.5
	H1	28.5	28.5	28.5	40	49	54	63.5	76
	Ø D	19	19	19	23	32	36	44	54
	Weight (Kg)	0.23	0.21	0.21	0.35	0.61	0.89	1.11	1.63

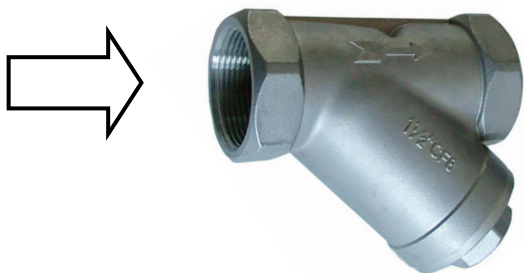
STAINLESS STEEL Y STRAINER PN16

STANDARDS :

- Fabrication according to ISO 9001
- DIRECTIVE 97/23/CE : CE N° 0035
Risk Category II
- Threaded BSP cylindric female ends according to ISO 228/1

INSTALLATION POSITIONS :

Horizontal position



Vertical position (descendand fluid)



ADVICE : Our opinion and our advice are not guaranteed and SFERACO shall not be liable for the consequences of damages. The customer must check the right choice of the products with the real service conditions.

STAINLESS STEEL Y STRAINER PN16

INSTALLATION INSTRUCTIONS

GENERAL GUIDELINES :

- Ensure that the strainers to be used are appropriate for the conditions of the installation (type of fluid, pressure and temperature).
- Be sure to have enough valves to be able to isolate the sections of piping as well as the appropriate equipment for maintenance and repair.
- Ensure that the strainers to be installed are of correct strength to be able to support the capacity of their usage.
- **Installation of all circuits should ensure that their function can be automatically tested on a regular basis (at least two times a year).**

INSTALLATION INSTRUCTIONS :

- **Before installing the strainers, clean and remove any objects from the pipes** (in particular bits of sealing and metal) which could obstruct and block the strainers.
- **Ensure that both connecting pipes either side of the strainer (upstream and downstream) are aligned (if they're not, the strainer may not work correctly).**
- **Make sure that the two sections of the pipe (upstream and downstream) match, the strainer unit will not absorb any gaps. Any distortions in the pipes may affect the tightness of the connection, the working of the strainer and can even cause a rupture.** To be sure, place the kit in position to ensure the assembling will work.
- The theoretical lengths given by ISO/R7 for the tapping are typically longer than required, the length of the thread should be limited, and **check that the end of the tube does not press right up to the head of the thread.**
- **Never use a vice to tighten the fixings of the strainer.**
- **If sections of piping do not have their final support in place, they should be temporarily fixed. This is to avoid unnecessary strain on the strainer.**
- **Fluids in the strainer must not contain solid objects (it could damaged the seat).**