

BRASS Y STRAINER



ISO 9001:2000

Size : DN 3/8" to 2" 1/2
Ends : Female BSP
Min Temperature : - 10°C
Max Temperature : + 120°C
Max Pressure : 16 Bars
Specifications : Removable stainless steel filter
Female / Female

Materials : Brass body

BRASS Y STRAINER

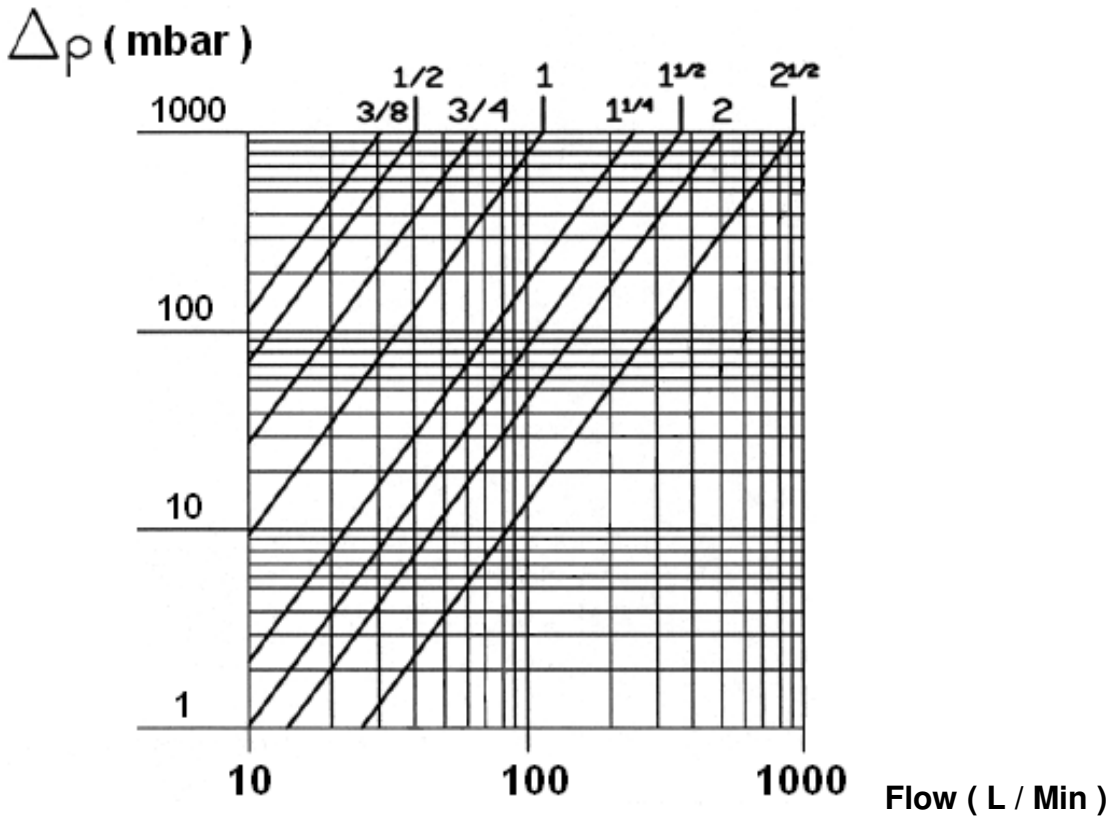
SPECIFICATIONS :

- Removable stainless steel filter
- Female / female type
- Horizontal or vertical position (respect the flow direction indicated by the arrow)
- Mesh 8/10° mm (800 μ)

USE :

- Water distribution and watering
- Min Temperature Ts : - 10°C
- Max Temperature Ts :+ 120°C
- Max Pressure Ps : 16 bars up to DN 2" , 10 bars over

HEAD LOSS :

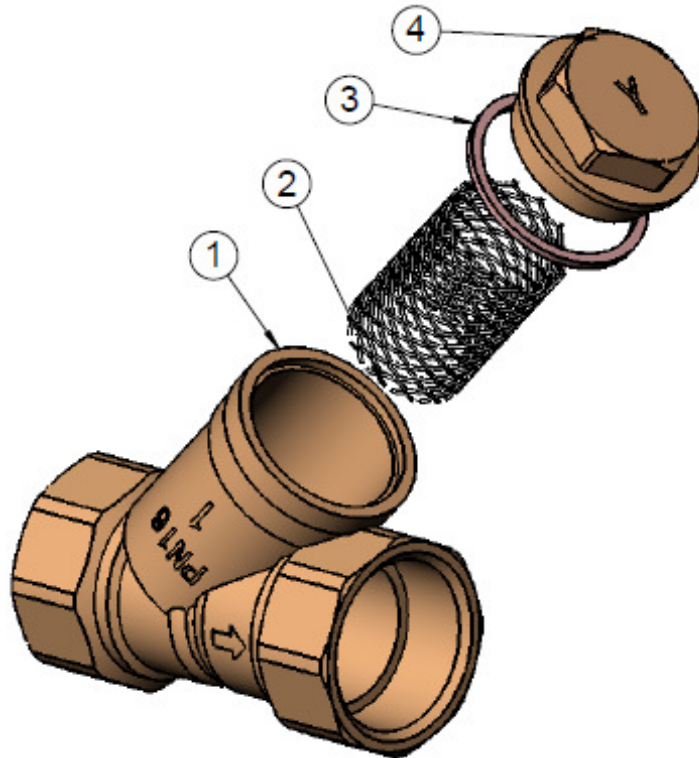


RANGE :

- Threaded BSP cylindric ends DN 3/8" to DN 2 1/2"

BRASS Y STRAINER

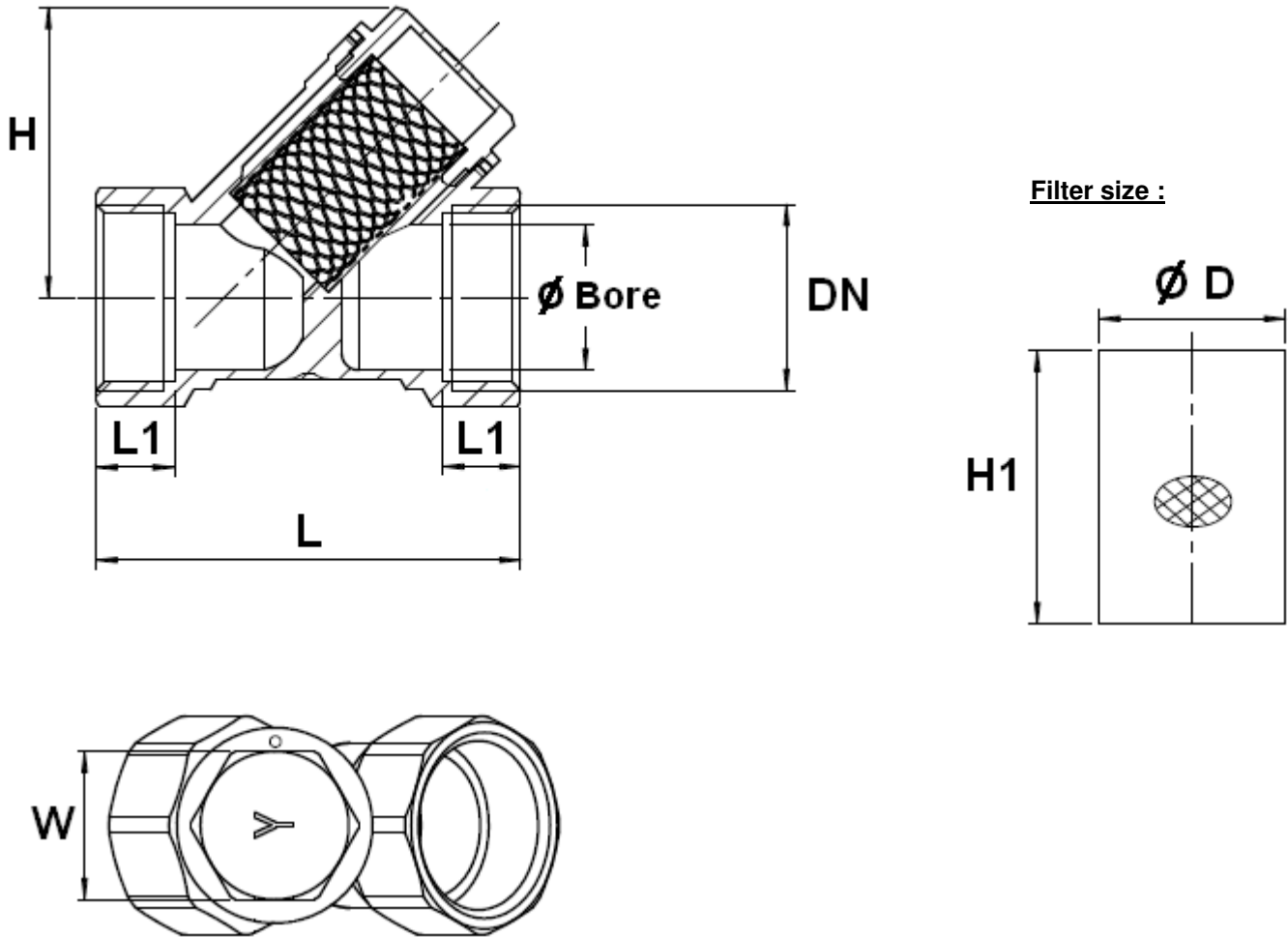
MATERIALS:



Item	Designation	Materials
1	Body	Brass
2	Filter	SS 304
3	Gasket	Fiber
4	Cap	Brass

BRASS Y STRAINER

SIZE (in mm) :



	DN	3/8"	1/2"	3/4"	1"	1"1/4	1"1/2	2"	2"1/2
Ref. 206	Ø Bore	14	17.5	22	26	34	40	52	66
	L	52	55	71	76	89	99.5	117.5	135
	L1	10	11.5	13	14	15	15.5	17.5	18
	H	41	41	48	51	67.5	73.5	92	104
	W	20	20	26.5	26.5	36	39	47	50.5
	Ø D	18	18	24	24	35	42	53	63
	H1	29	29	39	34	52	58.5	69	84.5
	Weight (Kg)	0.165	0.135	0.235	0.300	0.530	0.82	1.34	1.89

Sferaco 90 rue du Ruisseau 38297 St Quentin Fallavier Tel: + 33 (0) 474.94.15.90 Fax: + 33 (0) 474.95.62.08 Internet: www.sferaco.fr E-mail : sferaco@sferaco.fr

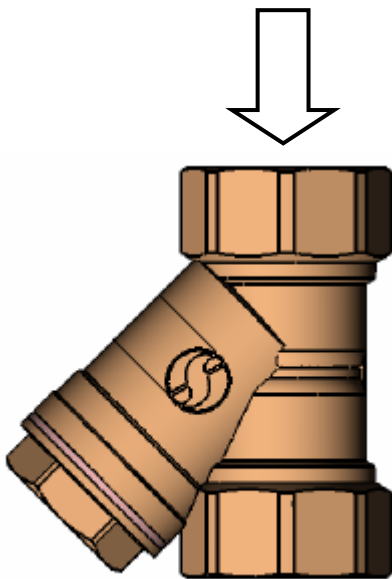
BRASS Y STRAINER

STANDARDS :

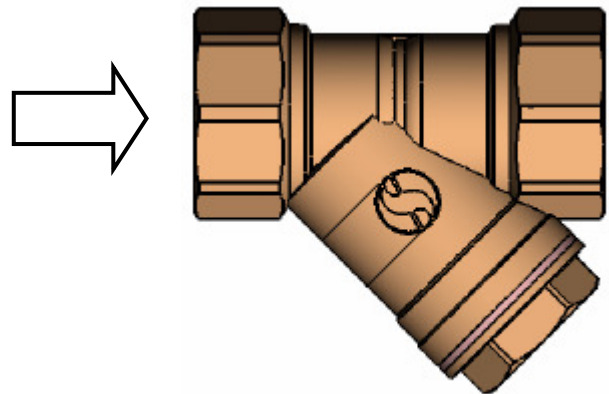
- Fabrication according to ISO 9001 :2000
- DIRECTIVE 97/23/CE : Products excluded from directive (Article 1, § 3.2)
- French water agreement **A.C.S. N° 07 ACC LY 386**
- Threaded BSP female cylindric ends

INSTALLATION POSITIONS :

Vertical position (descendand fluid)



Horizontal position



ADVICE : Our opinion and our advice are not guaranteed and SFERACO shall not be liable for the consequences of damages. The customer must check the right choice of the products with the real service conditions.