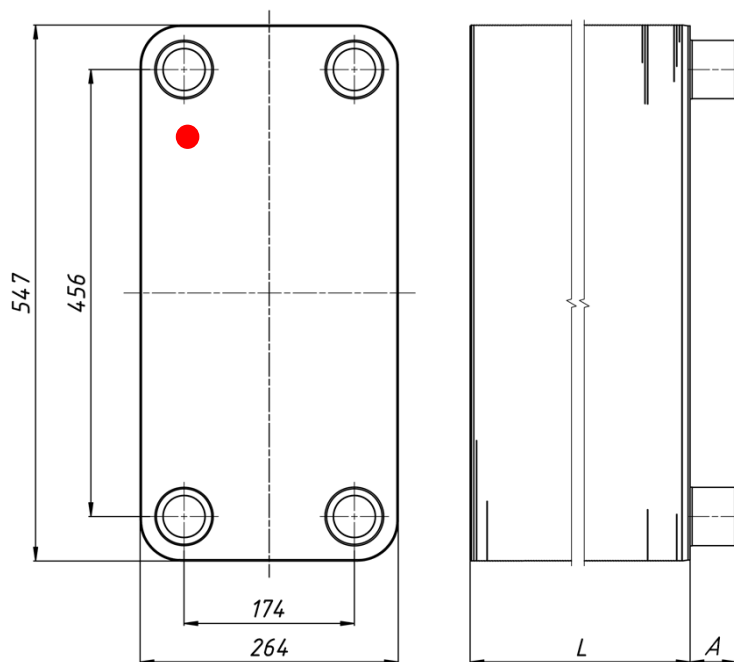


NB/LB 754/756/758

NB/LB Series – Technical Dimension Sheet

SIA "EKO AIR" produces a comprehensive range of BPHE featuring different sizes, plate counts, thermal characteristics and mechanical configuration. The NB/LB series can be adapted to numerous standard applications while working across a wide capacity and fluid range. Though, it always offers the most reliable and economic solution for your demanding heat transfer duty.

Dimensions [mm]



NB series

L-Dimension: $15.9 + \text{NoP} \times 2.35 \text{ mm}$

Weight empty: $8.505 + \text{NoP} \times 0.389 \text{ kg}$

Max. allowable Pressure at 200°C:
31 bar.

Test Pressure (P_T): **55 bar.**

LB series

L-Dimension: $13.55 + \text{NoP} \times 2.35 \text{ mm}$

Weight empty: $6.983 + \text{NoP} \times 0.389 \text{ kg}$

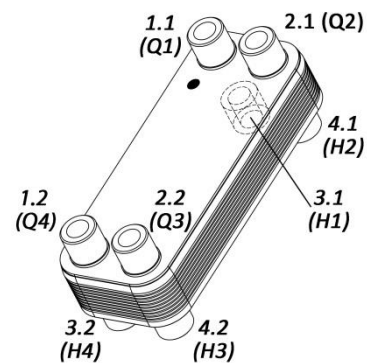
Max. allowable Pressure at 200°C:
16 bar.

Test Pressure (P_T): **28.4 bar.**

*NoP – Number of Plates

Technical data:

Min./Max. Temperature:	-200 / +200°C
Min./Max. Number of Plates:	20/200
Materials, product wetted parts:	AISI 316L
Materials, others:	AISI 304
Brazing Filler Material:	Pure Cu



Expressions in brackets according to program - PHE Selection.

Standard Configuration:

Single-pass, all 4 connections on Front, primary fluid left hand (1.1, 1.2), secondary fluid (2.1, 2.2).

Customized Configuration:

Multi-pass, other flow variants, additional connections, any types & sizes, non-std. no. of plates and many more.

Third Party Approval: PED – 97/23/EC, Fluid Group: LB - I/II, NB - II, CE-1407, other certifications on request.

Material Disclaimer: The information and recommendations contained in this printing are presented in good faith. However, they shall serve as non-binding description only. SIA "EKO AIR" makes no representations or warranties as to the completeness or accuracy of the content and disclaims any responsibility thereof.