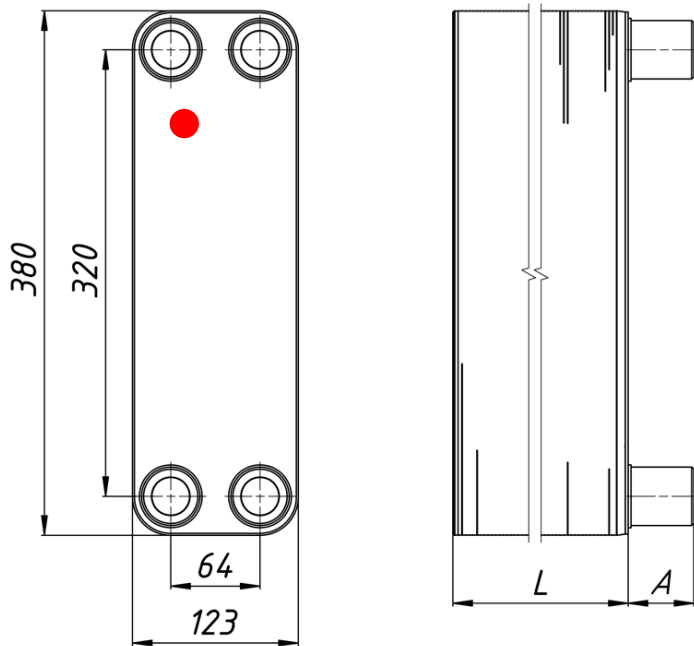


NB/LB 134/136/138

NB/LB Series – Technical Dimension Sheet

SIA “EKO AIR” produces a comprehensive range of BPHE featuring different sizes, plate counts, thermal characteristics and mechanical configuration. The NB/LB series can be adapted to numerous standard applications while working across a wide capacity and fluid range. Though, it the most reliable and economic solution for your demanding heat transfer duty.

Dimensions [mm]



Technical data:

Min./Max. Temperature:	-200 / +200°C
Min./Max. Number of Plates:	10/140
Materials, product wetted parts:	AISI 316L
Materials, others:	AISI 304
Brazing Filler Material:	Pure Cu

Standard Configuration:

Single-pass, all 4 connections on Front, primary fluid left hand (1.1, 1.2), secondary fluid (2.1,2.2).

NB series

L-Dimension: $14.83 + \text{NoP} \times 2.29 \text{ mm}$

Weight empty: $2.338 + \text{NoP} \times 0.13 \text{ kg}$

Max. allowable Pressure at 200°C:
31 bar.

Test Pressure (P_T): **55 bar.**

LB series

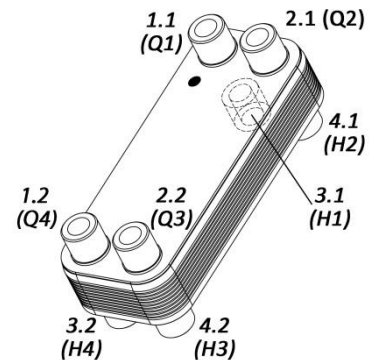
L-Dimension: $12.54 + \text{NoP} \times 2.29 \text{ mm}$

Weight empty: $2.168 + \text{NoP} \times 0.13 \text{ kg}$

Max. allowable Pressure at 200°C:
16 bar.

Test Pressure (P_T): **28.4 bar.**

*NoP – Number of Plates



Expressions in brackets according to program - PHE Selection.

Customized Configuration:

Multi-pass, other flow variants, additional connections, any types & sizes, non-std. no. of plates and many more.

Third Party Approval: PED – 97/23/EC, Fluid Group: LB - I/II, NB - II, CE-1407, other certifications on request.

Material Disclaimer: The information and recommendations contained in this printing are presented in good faith. However, they shall serve as non-binding description only. EKO AIR makes no representations or warranties as to the completeness or accuracy of the content and disclaims any responsibility thereof.