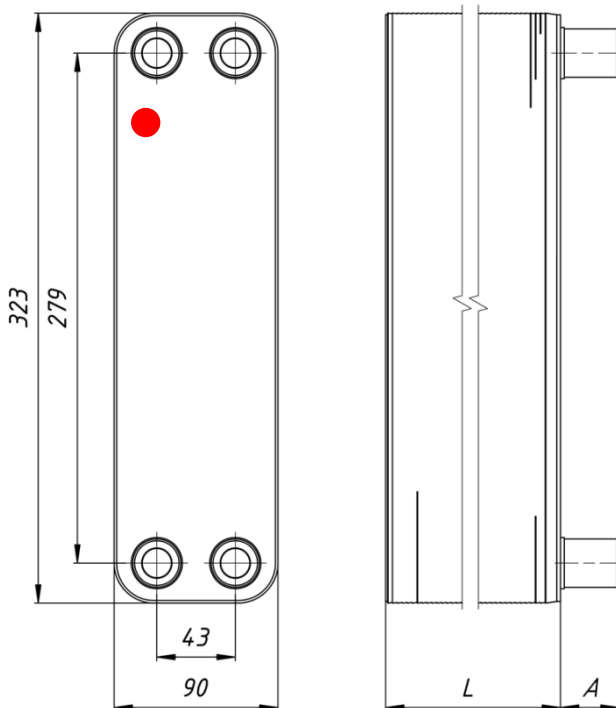


NB/LB 328

NB Series – Technical Dimension Sheet

SIA "EKO AIR" produces a comprehensive range of BPHE featuring different sizes, plate counts, thermal characteristics and mechanical configuration. The NB/LB series can be adapted to numerous standard applications while working across a wide capacity and fluid range. Though, it always offers the most reliable and economic solution for your demanding heat transfer duty.

Dimensions [mm]



Technical data:

Min / Max. Temperature:	-200 / +200°C
Min./Max. Number of Plates:	6/50
Materials, product wetted parts:	AISI 316L
Materials, others:	AISI 304
Brazing Filler Material:	Pure Cu

Standard Configuration:

Single-pass, all 4 connections on Front, primary fluid left hand (1.1, 1.2), secondary fluid (2.1, 2.2).

Third Party Approval: PED – 97/23/EC, Fluid Group: LB - I/II, NB - II, CE-1407, other certifications on request.

Material Disclaimer: The information and recommendations contained in this printing are presented in good faith. However, they shall serve as non-binding description only. SIA "EKO AIR" makes no representations or warranties as to the completeness or accuracy of the content and disclaims any responsibility thereof.

NB series

L – Dimension: $11.1 + \text{NoP} \times 2.35$ mm

Weight emty: $1.293 + \text{NoP} \times 0.089$ kg

Max. allowable Pressure at 200°C:

31 bar.

Test Pressure (P_T): **55 bar.**

L – Dimension: $8.75 + \text{NoP} \times 2.35$ mm

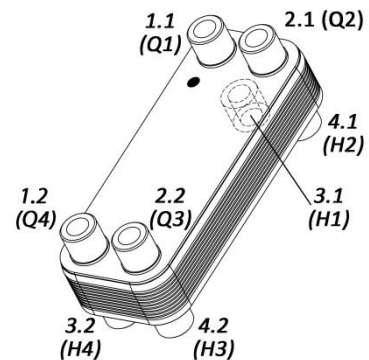
Weight emty: $1.182 + \text{NoP} \times 0.089$ kg

Max. allowable Pressure at 200°C:

16 bar.

Test Pressure (P_T): **28.4 bar.**

*NoP – Number of Plates



Expressions in brackets according to program - PHE Selection.

Customized Configuration:

Multi-pass, other flow variants, additional connections, any types & sizes, non-std. no. of plates and many more.