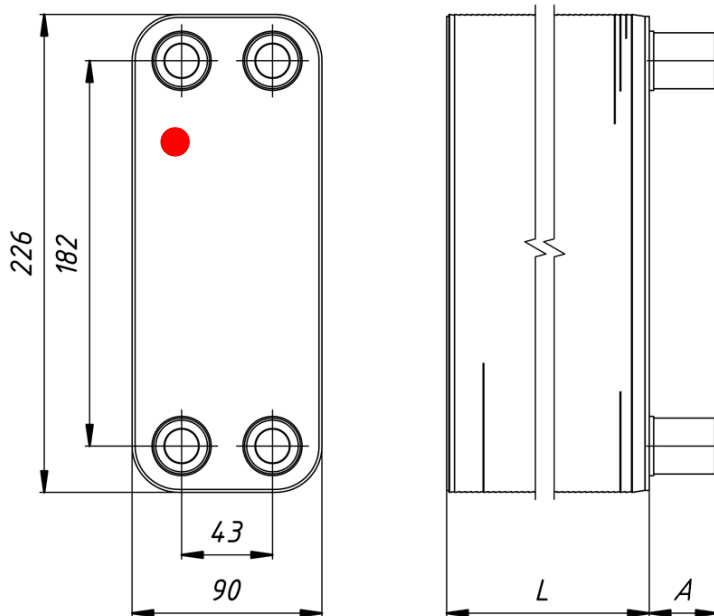


# NB/LB 238

## NB/LB Series – Technical Dimension Sheet

SIA "EKO AIR" produces a comprehensive range of BPHE featuring different sizes, plate counts, thermal characteristics and mechanical configuration. The NB/LB series can be adapted to numerous standard applications while working across a wide capacity and fluid range. Though, it the most reliable and economic solution for your demanding heat transfer duty.

### Dimensions [mm]



#### NB series

L-Dimension:  $11.1 + \text{NoP} \times 2.35 \text{ mm}$

Weight empty:  $0.965 + \text{NoP} \times 0.062 \text{ kg}$

Max. allowable Pressure at 200°C:  
**31 bar.**

Test Pressure ( $P_T$ ): **55 bar.**

#### LB series

L-Dimension:  $8.75 + \text{NoP} \times 2.35 \text{ mm}$

Weight empty:  $0.881 + \text{NoP} \times 0.062 \text{ kg}$

Max. allowable Pressure at 200°C:  
**16 bar.**

Test Pressure ( $P_T$ ): **28.4 bar.**

\*NoP – Number of Plates

### Technical data:

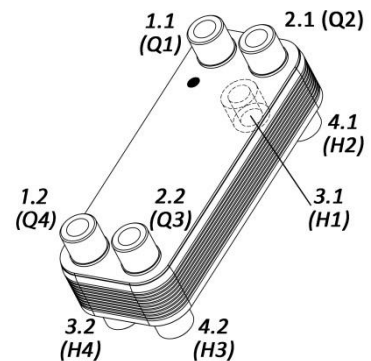
Min./Max. Temperature: -200 / +200°C

Min./Max. Number of Plates: 6/50

Materials, product wetted parts: AISI 316L

Materials, others: AISI 304

Brazing Filler Material: Pure Cu



Expressions in brackets according to program - ANeX Unicalc.

#### Standard Configuration:

Single-pass, all 4 connections on Front, primary fluid left hand (1.1, 1.2), secondary fluid (2.1,2.2).

#### Customized Configuration:

Multi-pass, other flow variants, extra connections, -types & sizes, non-std. no. of plates and many more.

Third Party Approval: PED – 97/23/EC, Fluid Group: LB - I/II, NB - II, CE-1407, other certifications on request.

Material Disclaimer: The information and recommendations contained in this printing are presented in good faith, however, shall serve as non-binding description only. SIA "EKO AIR" makes no representations or warranties as to the completeness or accuracy of the content and disclaims any responsibility thereof.