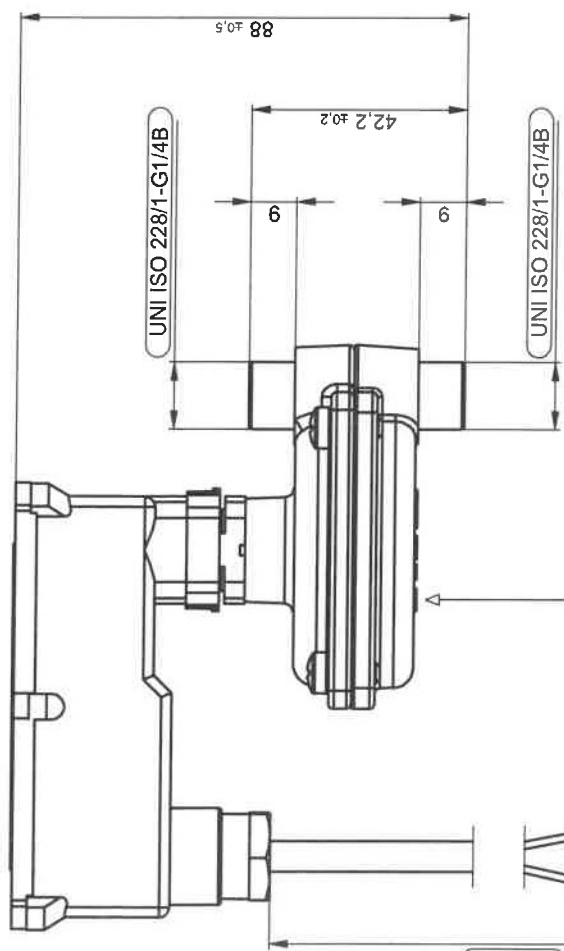


1 2 3 4 5 6 7 8 9 10

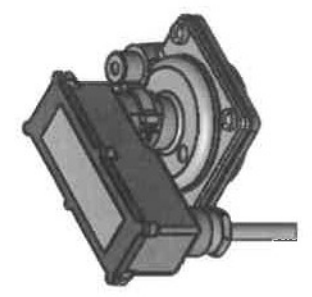
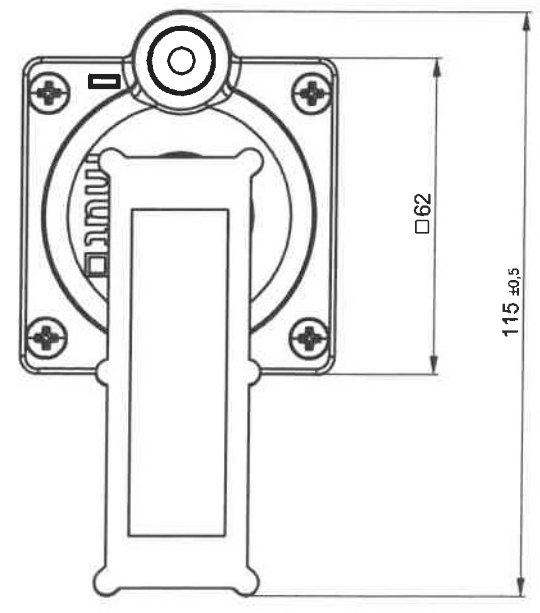


settimana di produzione/  
manufacturer's week

anno di produzione/  
manufacturer's year

**MUT**

Cod. Art.



VALORI DI INTERVENTO INTERVENTION VALUES	mbar	mm c.a.
Δp INTERVENTO (C - NO ) Δp INTERVENTION	105 ±10	1071 ±102
Δp RILASCIO (C - NC ) Δp RELEASE	80 ±10	816 ±102
COLORE FILI WIRW COLORS	TIPO CONTATTO TYPE CONTACT	
AZZURRO/BLUE	COM	
MARRONE/BROWN	NO	

**PARAMETRI DI FUNZIONAMENTO**  
**OPERATING PARAMETERS**

- MASSIMA PRESSIONE STATICA  
MAX STATIC PRESSURE : 10 bar
- MASSIMA TEMPERATURA FLUIDO  
MAXIMUM FLUID TEMPERATURE : 95°C
- MINIMA TEMPERATURA FLUIDO  
MINIMUM FLUID TEMPERATURE : 5°C
- MASSIMA TEMPERATURA AMBIENTE  
MAXIMUM ROOM TEMPERATURE : 80°C
- IMBALLO SINGOLO 1Pz  
SINGLE PACKING

**MATERIALI**  
**MATERIALS**

- CORPO / COPERCHIO: OTTONE EN 12615:98CW617N  
BODY & COVER: BRASS
- PIATTELLO: NORYL  
CAP: NORYL
- MEMBRANA: EPDM  
DIAPHRAGM: EPDM
- MOLLE: ACCIAIO INOX  
SPRINGS: STAINLESS STEEL
- MICROINTERRUTTORE: 10A-250 VAC ATTACCHI FASTON 6.3 mm  
MICROSWITCH: 10A-250 VAC ATTACCHI FASTON 6.3 mm
- SCATOLA IP54 MICRO: NYLON AUTOESTINGUENTE  
MICROSWITCH IP54 BOX: GLASS REINFORCED NYLON

SCALE SCALE	1:20	VALORI ANGOLARI ANGULAR VALUES	±30°	MATERIALE / MATERIAL	DISIGN. DRAW	M.MATTIELLO	DATA DATE	16/04/2010
PLASTICA PLASTIC	fino a 3° # 3	> 3° > 6° > 120° > 400°	# 30 # 120 # 400		CONTR. CHECK		DATA DATE	
METALLO METAL	±0.15 ±0.05 ±0.1 ±0.15 ±0.2 ±0.3 ±0.5 ±0.8	±0.17 ±0.25 ±0.4 ±1 ±2.5			TRATT. TERMICO E/O SUPERF. HEAT/SUPERFICIAL TREATMENT			
METALLO METAL	±0.1 ±0.1 ±0.1 ±0.2 ±0.3 ±0.5 ±0.8				CORRISPONDE A/CORRESPONDS TO			
METALLO METAL	±0.2 ±0.3 ±0.5 ±0.8 ±1.2 ±2				SOSTITUITO DA/SUBSTITUTED BY			
		PRESS.SFS 105 M1 IP54R G1/4 IMB.SINGOLO		Refered to law terms, MUT SpA reserves the ownership on this drawing and prohibits to reproduce or communicate it without authorization.				
mut Meccanica Loro MONTECCHIO MAGGIORE 36045 (VI) ITALY		DIMENSIONI IN mm DIMENSIONS IN mm		7.030.01250-00				

1 2 3 4 5 6 7 8 9 10