

MCmini20 – MCmini40

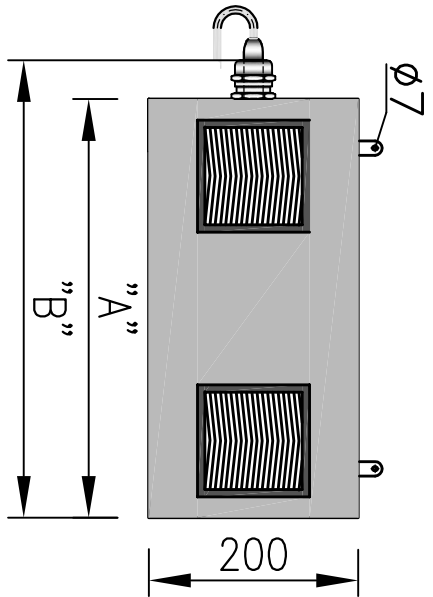


MCmini20 e **MCmini40** are the most compact air sterilizers in the SITA range. Made of stainless steel 304 with a nice box that fits perfectly in any room.

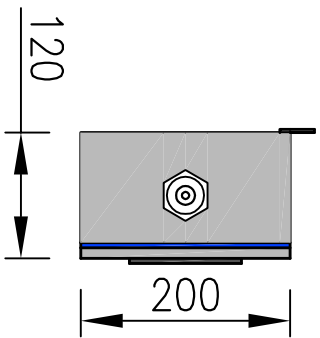
With **MCmini** we can treat air 24 h/day also with people's presence in the room. This ensures a good disinfection maintaining under control microbiological levels. Conveyed in the UV unit the air comes into contact with a powerful UVC lamp that is able to change the DNA of microorganism, such as bacteria and viruses. A silent fan inbuilt in the box guarantees a good acoustic comfort.

The maintenance of the **MCmini20** e **MCmini40** is also very simple: UVC lamp and filter must be replaced once a year. Ideal for volumes up to 40 and 80 m³.

GENERAL INFORMATION	
Temperature range	5-50° C
Total consumption	33W MCmini20 – 51W MCmini40
Max. volume room	40 m ³ MCmini20 - 80 m ³ MCmini40
Power supply	230 V - 50/60 Hz
Power supply cable	10 m
Material	Stainless steel 304
Protection Class	IP 55
Weight	4 kg
Lamp life	9.000 hrs
Status LED	Green: working / Red: alarm

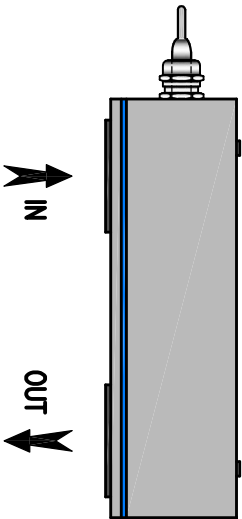


FRONT VIEW

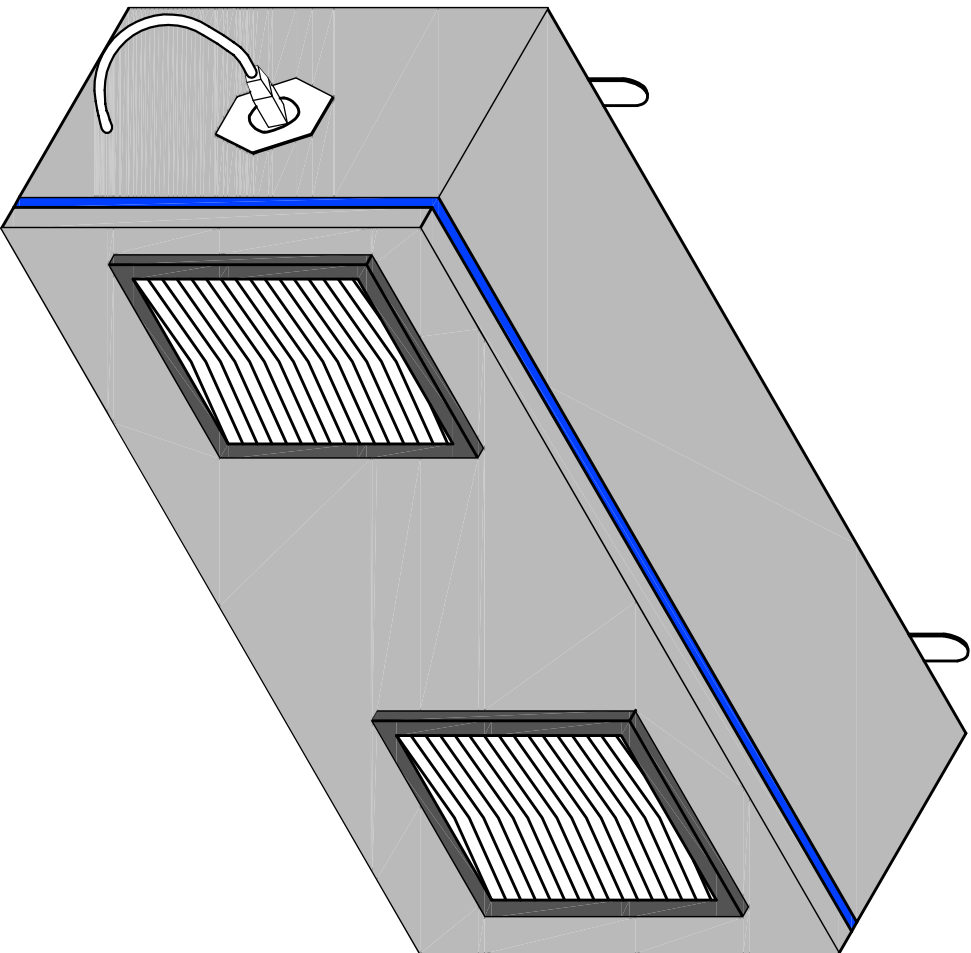


SIDE VIEW


UV PLANT	"A"	"B"
MC20	400	437
MC40	720	757



TOP VIEW



REV.	A	PRIMA EMISSIONE/FIRST ISSUE	15/04/2020	SCHEMINE S. MAZZONE	APPROVATO
		DESCRIZIONE	DATA	DISEGNATO	


Sifo S.r.l. Società Italiana Trattamento Acque
 Via Rivarolo, 61 - 16161 Genova Italy - Tel. 0039-10-7408848 / Fax 0039-10-7408851 email: info@sifou.com
 LA SIFA S.r.l. SI RESERVA A TERMINI DI LEGGE LA PROPRIETA' DI QUESTO DISEGNO CON DIVIETO DI RIPRODURRE O DI RENDERSILO COMUNQUE NOTO A TERZI O A DITTE CONCORRENTI SENZA LA SUA AUTORIZZAZIONE SCRITTA

TITOLO	UV-C DISINFECTION	
	MC20 LAYOUT	
CLIENTE		
CODICE	/	
F.to	A4	Scala /
Foglio	01	di 01