

Heat exchanger Hi-Flow



Hi-Flow

Hi-flow is a spiral heat exchanger made of AISI 316L acid proof stainless steel for installations that operate under high pressure. Simple installation with the included adjustable stainless steel attachments.

Maximum pressure secondary circuit (pool water) is 8 bar and primary circuit (hot water) is 30 bar.

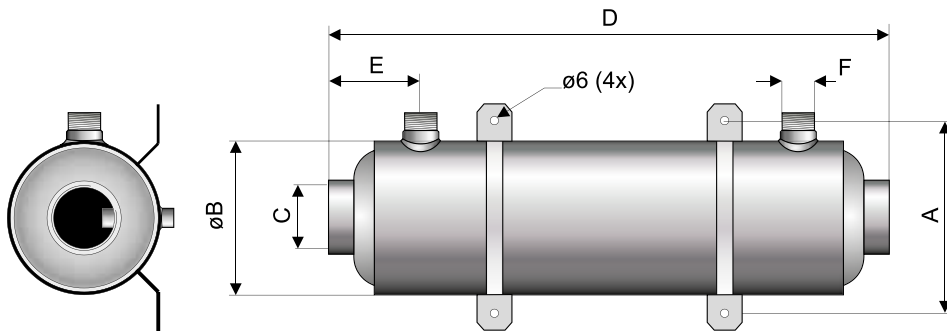
Suitable for pools up to 300m³

Hi-Flow

Hi-Flow is a spiral heat exchanger for installations with high pressure made of stainless steel for optimal durability.

Features

- Acid proof stainless steel AISI 316L
- Precision-welded outer jacket
- Coil for heating medium
- Pocket for probe
- Adjustable brackets of acid proof stainless steel
- Four sizes: 13, 28, 40 and 75 kW
- Connects to existing heat source



Dimensions

Item no.	kW	A	B	C	D	E	F	G
11332	28	139	113	1½"	470	95	1"	51
11333	40	139	127	1½"	510	108	1"	51
11334	75	139	127	1½"	754	108	1"	51

Technical data

Item no.	Model	Capacity			Primary, hot water		Secondary, pool water		kg
		kW	kBtu/h	kcal	l/min	press. drop H (m)	l/min	press. drop H (m)	
11391	HF 13	13	45	11 177	25	0,9	200	0,6	1,9
11392	HF 28	28	95	24 075	25	1,7	300	1,6	3,2
11393	HF 40	40	135	34 393	60	1,3	300	1,6	3,4
11394	HF 75	75	260	64 488	60	2,6	300	1,1	5,3

Capacity at 60°C temperature difference case 11391 and 11392, capacity at 70°C temperature difference case 11393 and 11394.