

Cim 3739B

BALANCING VALVE VARIABLE ORIFICE - PN16 - CAST IRON - DRILLED FLANGE PN 16



This article was made in compliance with the quality management requirements of ISO 9001 standard. All articles are tested according to the EN 12266-1 standard.

It can be used in a wide variety of sectors: heating, air conditioning, water, sanitary systems and generally with any non corrosive liquid.

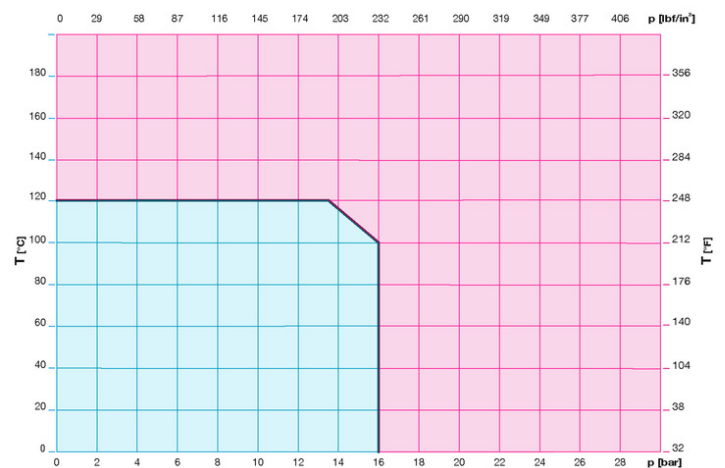
It is guaranteed for 5 years.

It is made of EN-JL 1040 cast iron.

Nominal Pressure: PN16

Operating temperature: -10 ÷ 120°C

PRESSURE TEMPERATURE RATINGS



Notes:

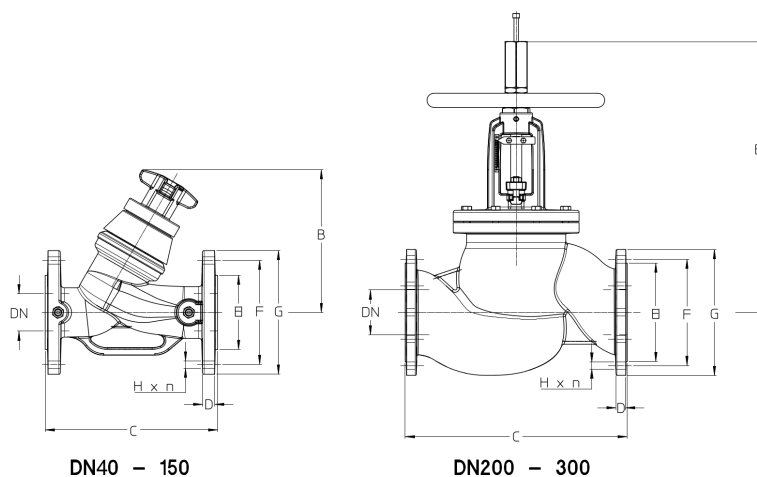
1 bar = 14,5 psi

1 bar = 14,5 lbf/in²

°C = 5/9 x (°F-32)

°F = 32 + (9/5 x °C)

TECHNICAL DRAWING



DN	40	50	65	80	100	125	150	200	250	300
Kgs.	8,2	11,6	15,6	19,8	34,8	52,4	78,6	173	254	350
B	178	190	215	225	334,5	369	403	732	739,5	848,5
C	200	230	290	310	350	400	480	600	730	850
D	14	16	17	19	21	22	21	26	29	28
E	84	99	118	132	156	178	211	266	320	370
F	110	125	145	160	180	210	240	295	355	410
G	150	165	185	200	220	250	285	340	405	460
H	19	19	19	19	19	19	23	23	28	28
n	4	4	4	8	8	8	8	12	12	12

Flanging:
ISO 7005-2

TECHNICAL CHARACTERISTICS

KV - KVS										
DN	40	50	65	80	100	125	150	200	250	300
KV - KVS	29,32	47,63	72,09	103,68	186,01	307,78	355,11	790,63	955,29	1356,60

KV = Flow rate in m³/h at a pressure drop of 1 bar

KVS = Water flow rate that causes a pressure drop of 1 bar measured on the pressure connections

OUR CERTIFICATIONS

