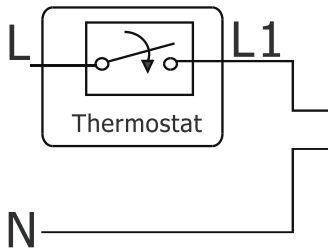
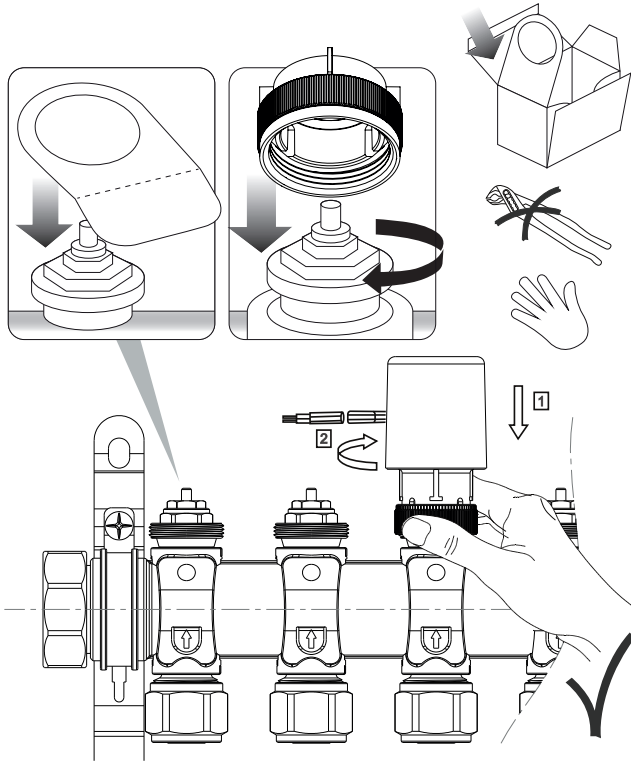
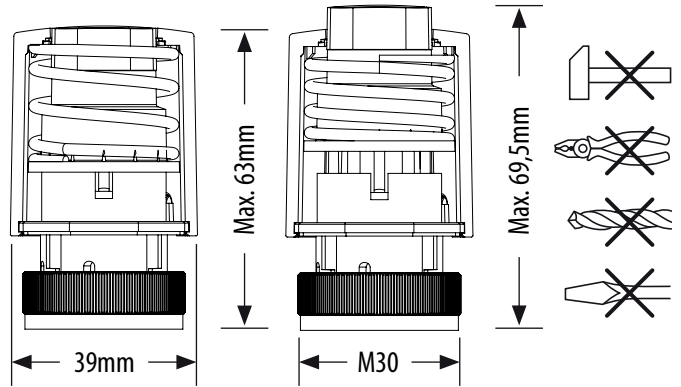


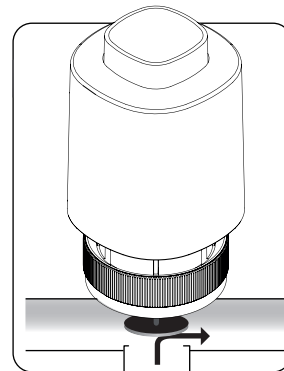
ASSEMBLY



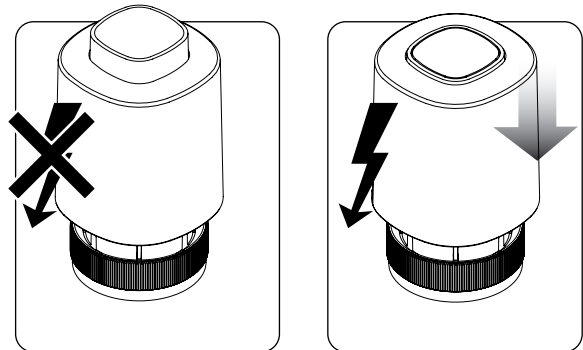
Adaptive stroke length - 4 mm



NO - NORMALLY OPEN



PRINCIPLE OF OPERATION



230V

V= 230V
 P= 2W
 I_{MAX}= 200mA - 200mS
 IP54
 5-60 °C
 F= 100N+10%

24V Version

V= 24V
 P= 2W
 I_{MAX}= 250mA - 2 min
 IP54
 5-60 °C
 F= 100N+10%