



CAR FILLING



FUEL MANAGEMENT SYSTEMS



KITS



PUMPS



METERS



METERED NOZZLES

# SUZZARABLUE HAND PUMP

## FEATURES

- READY / EASY TO USE
- SUITABLE FOR ANY OPERATING CONDITION

The PIUSI SUZZARABLUE HAND PUMP is the basic version of hand pump (piston) offered by PIUSI. They are manufactured in plastic according to the ISO 22241.

## PERFORMANCE

**3M**

HOSE LENGTH



**SUZZARABLUE HAND PUMP**



## PACKAGING

CODE	WEIGHT		PACKAGING		N. BOXES/EUROPALLET	
	KG	LBS	MM	PCS/BOX		

### PISTON HAND PUMPS

FO033209A	1,5	3,3	160X340X140	1	72	102
FO033210A	3,4	7,5	510X240X150	1	48	66



NOZZLES



FILTRATION



TANK MONITORING



HOSE REEL



ACCESSORIES



MERCHANDISE



AIR



ANTIFREEZE



AdBlue®



BIODIESEL



DIESEL



FOOD



GASOLINE



GREASE



KEROSENE



OIL

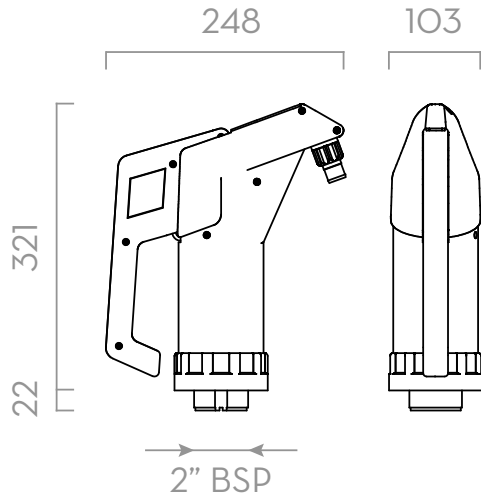


WATER



WINDSCREEN

## CHART



Dimensions expressed in millimeters

## IN THE BOX

- SUZZARABLU HAND PUMP
- DELIVERY HOSE (ON REQUEST)
- SUCTION PIPE
- INSTRUCTION MANUAL

## DETAILS



## MATERIALS

- BODY: PLASTIC
- ROTOR: PLASTIC
- VANES: PLASTIC

## TECHNICAL DATA

CODE	DESCRIPTION	FLUIDS TYPE	SPOUT		HOSE		DIP PIPE	COMPLETE KIT	MAUSER AND GREIF ADAPTER FOR DRUM
			BSP	LENGHT	Ø				
FO033209A	PISTON HAND PUMP (WITH DIP PIPE)		3/4"	-	-	YES	-	-	
FO033210A	PISTON HAND PUMP (WITH COMPLETE KIT)		3/4"	3 M	3/4"	YES	YES	YES	

### PISTON HAND PUMP

# SUZZARABLU HAND PUMP