



Capsule Pressure Gauges

Black-Painted Steel Case

Copper Alloy Wetted Parts

OEM Low Pressure Series • Type 611.12

Pressure Gauges

Application

Fluid medium, gaseous or dry, which does not clog connection port or corrode copper alloy.
Example: low pressure pneumatic systems.

Sizes

2½" (63 mm)

Accuracy

± 1.5% of span (± 2.5% for 10" H₂O range)

Ranges (All ranges not stocked)

10 "H₂O to 240 "H₂O (25 to 600 mbar)
or other equivalent units of pressure or vacuum

Working Range

Steady: Full scale value
Fluctuating: 0.9 x full scale value

Operating Temperature

Ambient: -4°F to 140°F (-20°C to 60°C)
Media: max. 212°F (+100°C)

Temperature Error

Additional error when temperature changes from reference temperature of 68°F (20°C) ±0.4% for every 18°F (10°C) rising or falling. Percentage of span.



Standard Features

Connection

Material: copper alloy
Lower mount (LM)
Center back mount (CBM)
1/8" NPT or 1/4" NPT

Capsule Element

Material: copper alloy

Movement

Copper alloy, nickel-silver pinion gear and shaft.

Dial

White aluminum with black lettering and stop pin

Pointer

Black aluminum

Case

Black steel

Weather Protection

Dust resistant (NEMA 2 / IP 32)

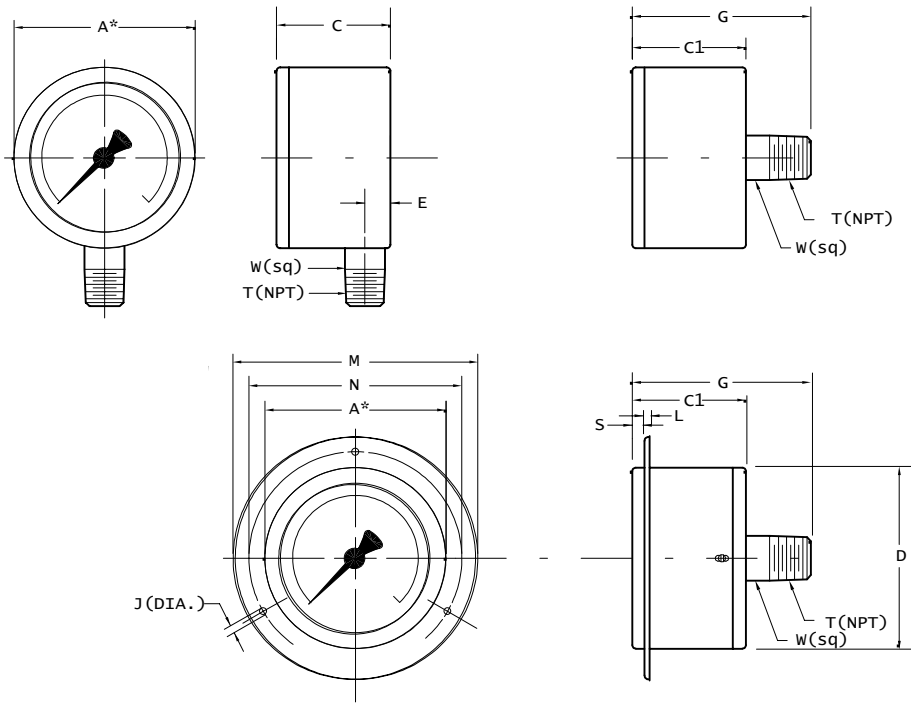
Window

Snap-in acrylic window

Order Options (min. order may apply)

Front or rear flange
Brass threaded restrictor
U-Clamp
Stainless steel case and ring
Safety glass window
Overpressure and underpressure protection
Cleaned for oxygen service
Medical specification
Special connections limited to wrench flat area
Nickel or chrome plated connection
Special case colors
Red set pointer
Custom dial layout
DIN standards
Other pressure scales available

Dimensions:



A* NOMINAL SIZE

TYPE	WEIGHT	KEY	A*	B	C	C1	D	E	G	J	L	M	N	S	T	W
611.12 2.5"	0.45 lbs.	mm	63	52	40	36.5	63	9.5	55.5	3.6	2	85	75	2	--	14
		in	2.5	2.05	1.58	1.44	2.48	0.37	2.19	0.14	0.08	3.35	2.95	0.08	1/4"	0.55

**THE MEASURE OF
Total Performance™**

Ordering Information:

State computer part number (if available) / type number / size / range / connection size and location / options required.

Specifications given in this price list represent the state of engineering at the time of printing. Modifications may take place and the specified materials may change without prior notice

08/99



WIKAI Instrument Corporation
 1000 Wiegand Boulevard
 Lawrenceville, Georgia 30043-5868
 Tel: 770-513-8200 Fax: 770-338-5118
<http://www.wika.com> e-mail: info@wika.com