

1

CMBE 3-93 AVBE



: 98374702

Grundfos CME

CME

CME

CME

• CME

• 5-

•

•

•

•

•

•

•

•

•

MGE

CME

(IEC 34.11: TP 211).

: 273 .. 333 K

Liquid temperature during operation: 293 K

: 998.2 kg/m³

: 3868 rpm

: 3.7 m³/h

: 59.8 m

: AVBE

: CE,EAC

: ISO9906:2012 3B

: Integrated Frequency converter

DIN W.-Nr. 1.4301

304

DIN W.-Nr. 1.4301

AISI 304

EPDM

: 328 K

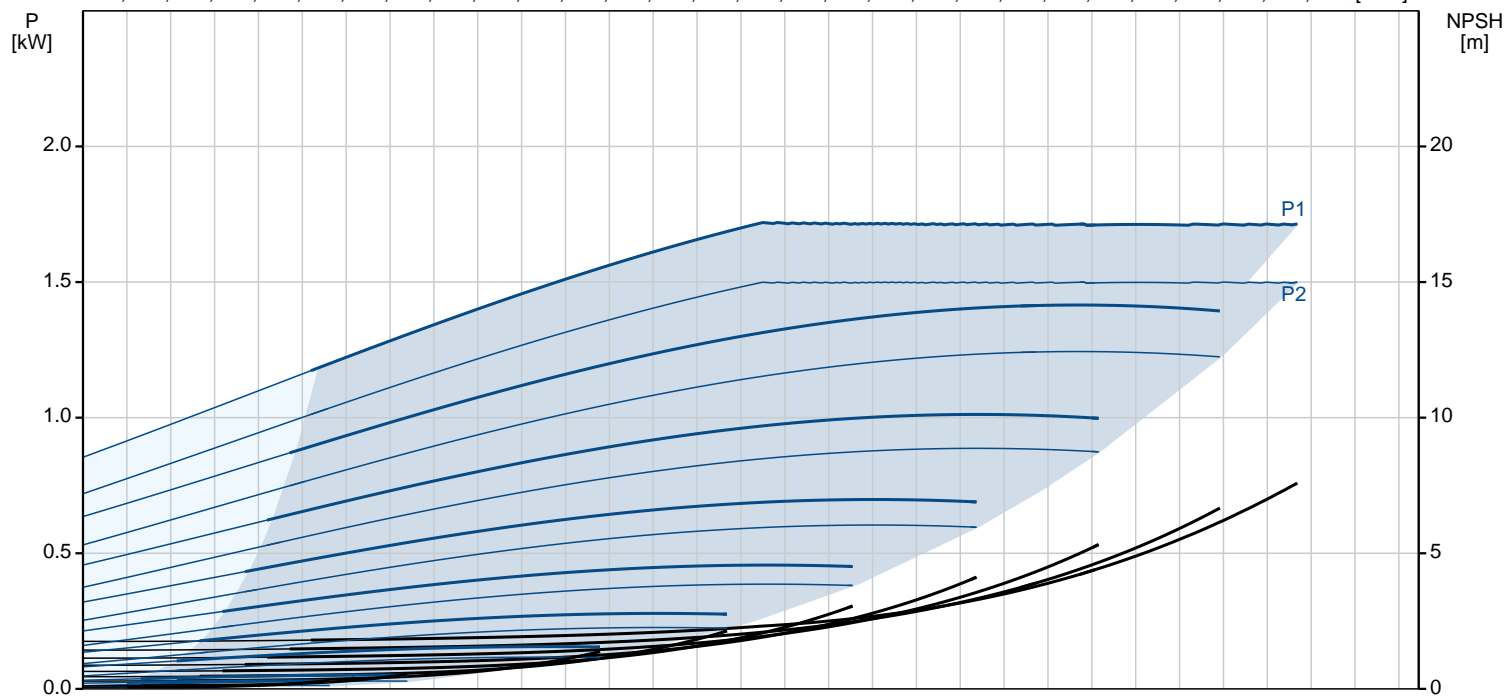
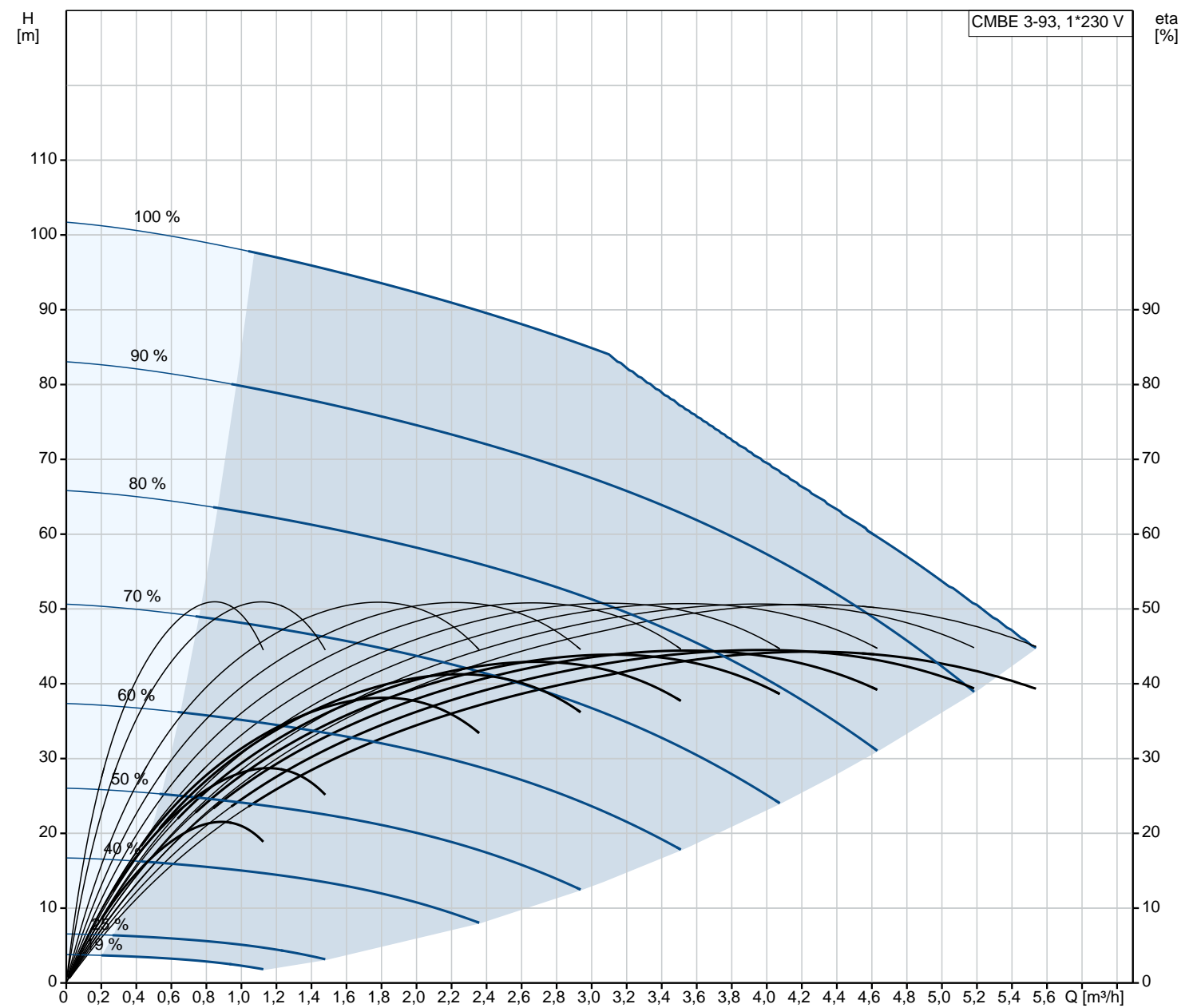
WHITWORTH

RP

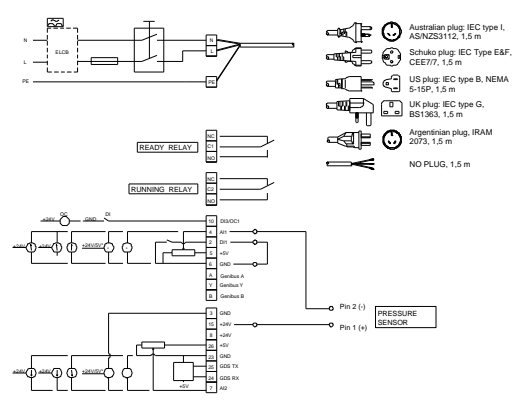
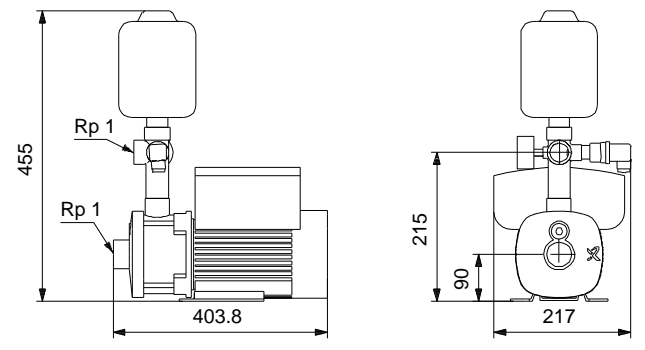
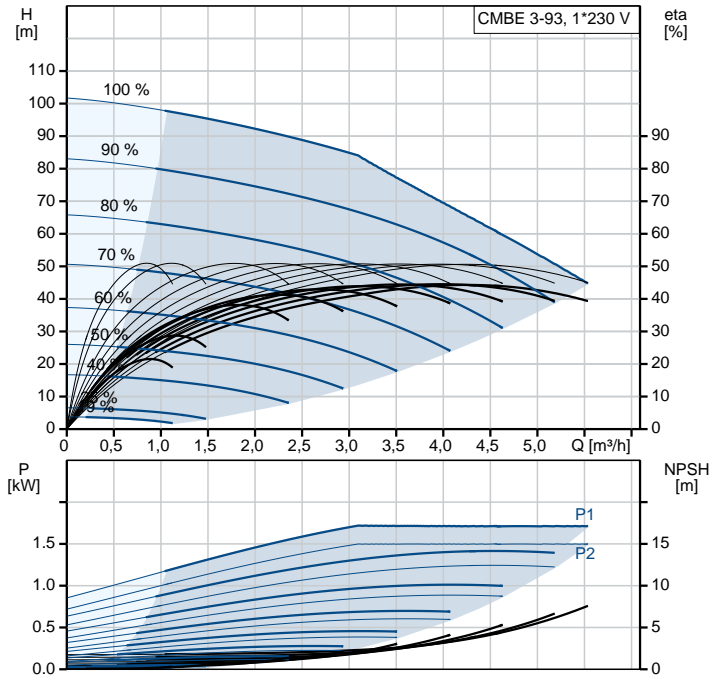
Rp 1

: Rp 1
:
- 2: 1.5 kW
: 50 Hz
: 1 x 200-240 V
: 9,10-7,60 A
: 360-4000 rpm
(IEC 34-5): IP55
(IEC 85): F
: SCHUKO
: 1.5 m
:
: 2 l
:
: 22.7 kg
: 32.8 kg

98374702 CMBE 3-93 50 Hz



No.:		CMBE 3-93 AVBE
EAN		98374702
		5711493909422
		3868 rpm
		3.7 m³/h
		59.8 m
		6
		AVBE
		CE,EAC
		ISO9906:2012 3B
		A
		Integrated Frequency converter
		DIN W.-Nr. 1.4301
		304
		DIN W.-Nr. 1.4301
		AISI 304
		EPDM
		328 K
		WHITWORTH
		RP
		RP 1
		RP 1
Liquid temperature during operation:		273 .. 333 K
		293 K
		998.2 kg/m³
		1.5 kW
		50 Hz
		1 x 200-240 V
		9,10-7,60 A
		1000 kPa
		360-4000 rpm
(IEC 34-5):		IP55
(IEC 85):		F
		SCHUKO
		1.5 m
		2 l
		22.7 kg
		32.8 kg
		98442578



98374702 CMBE 3-93 50 Hz

