

1 SOLOLIFT2 D-2



: 97775318

Sololift2 D-2

Sololift2 D-2

Sololift2 D-2

Ø22-36mm

Ø36 40

EN12050-2

Maximum liquid temperature: 50 °C
998.2 kg/m³

: CE,TR,VDEEMV,VDE,MORO
: ISO9906:2012 3B

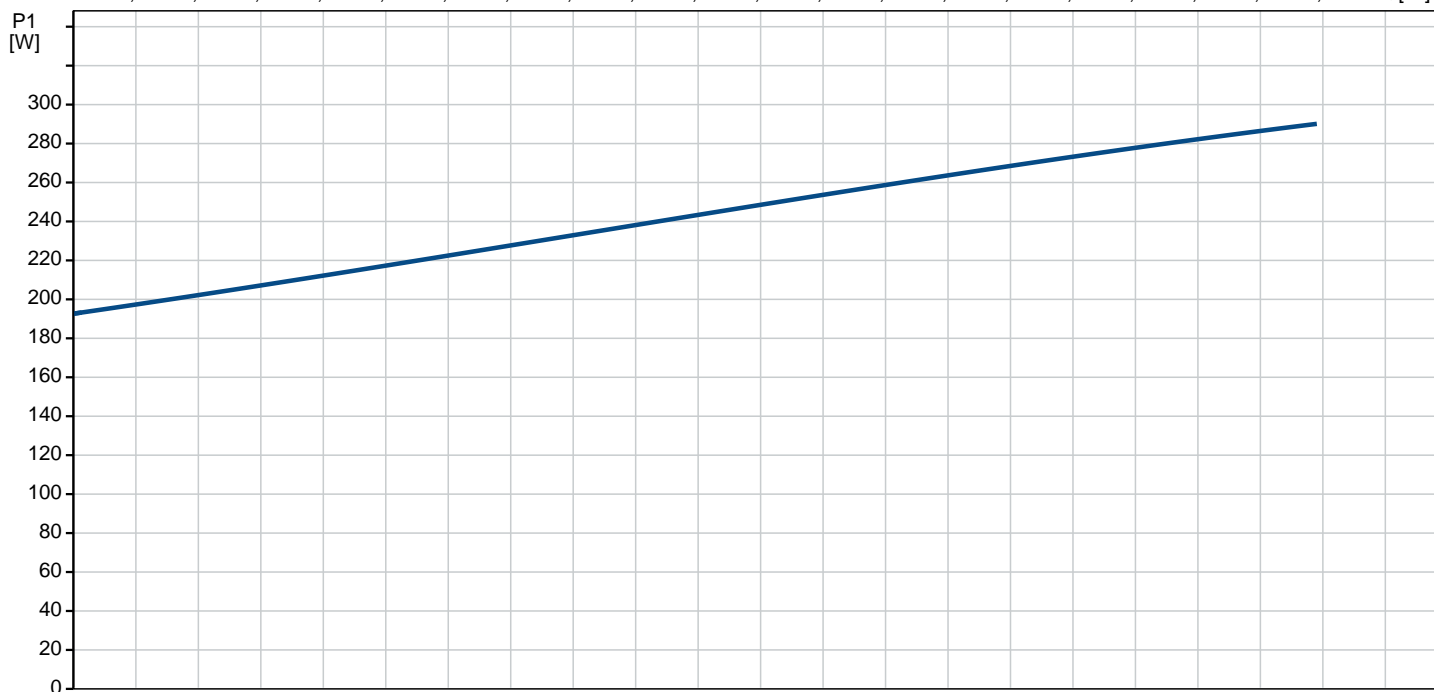
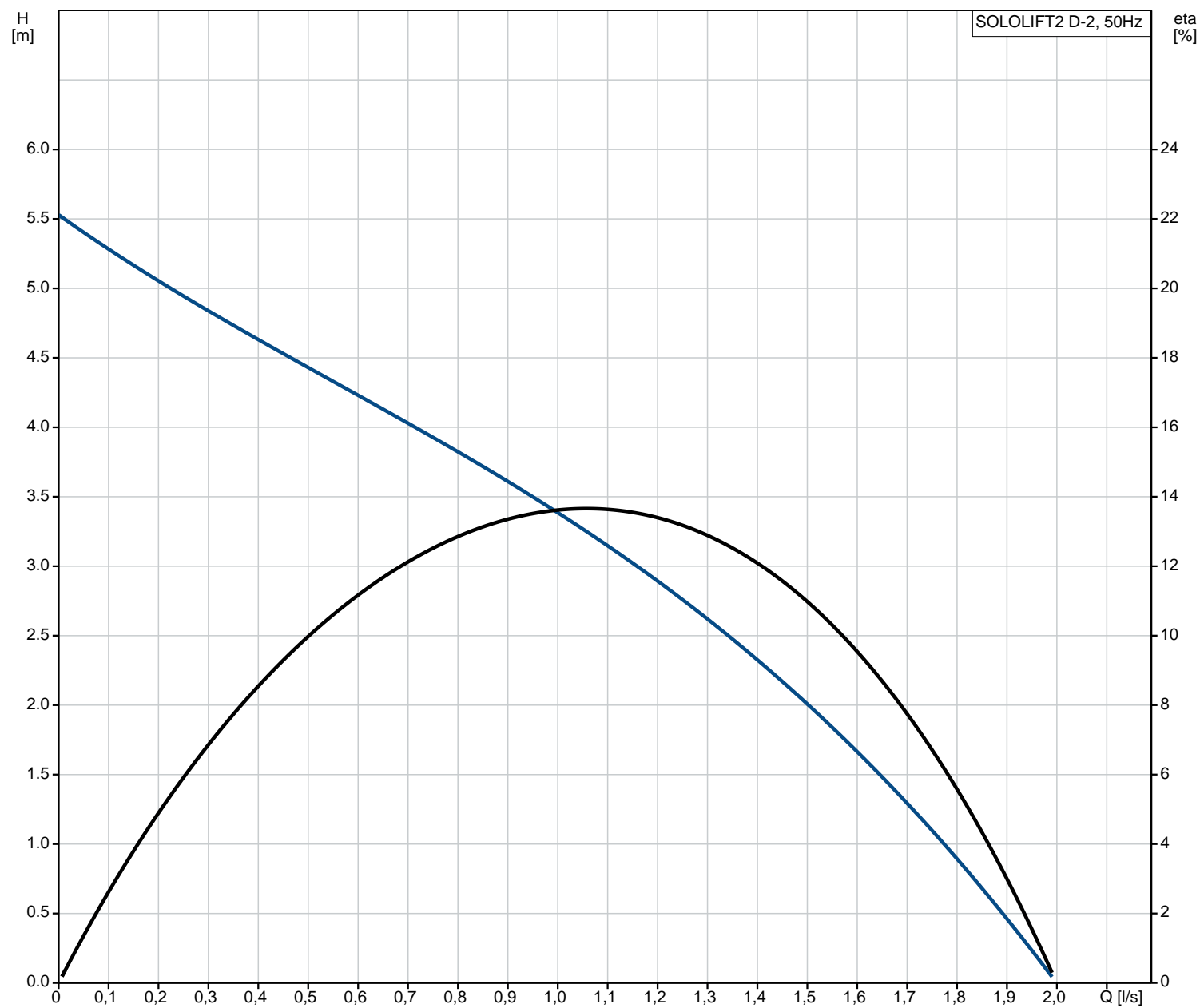
36/40/50
22/32
3X0,75MM2

- 1: 280 W
50 Hz
1 x 220-240 V

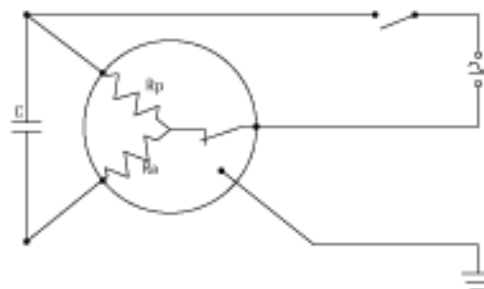
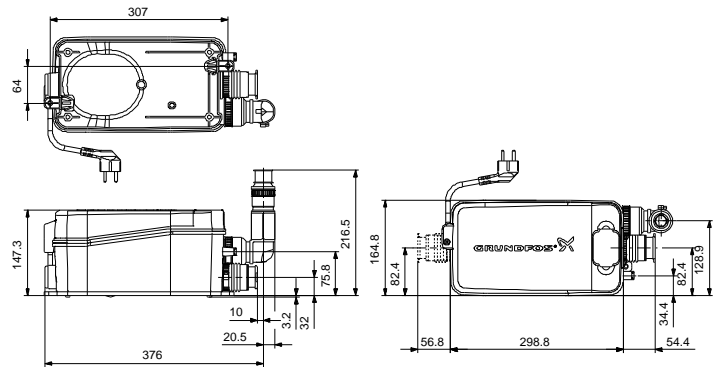
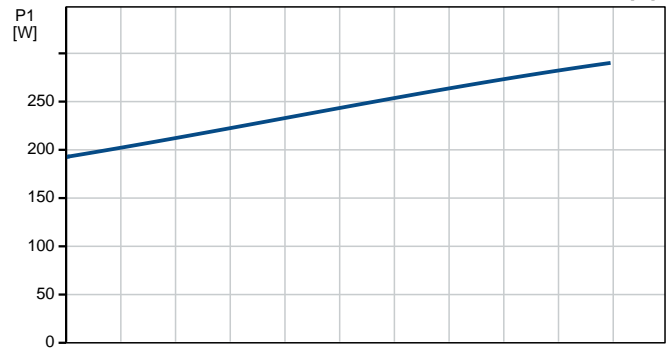
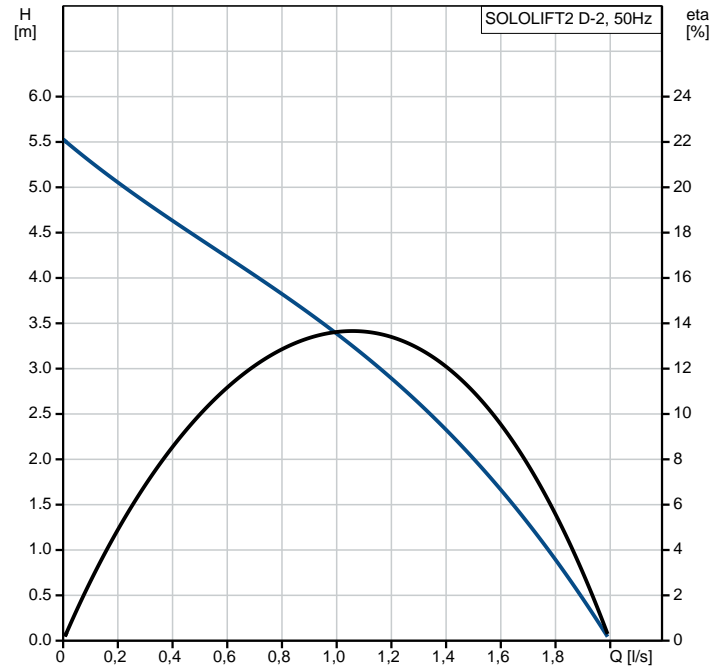
Cos phi - : 1.3 A
: 0.95
: 2800 rpm
(IEC 34-5): IP44
(IEC 85): F
: 1.2 m
: H05VV-F-3G
: SCHUKO

:
:
:
VVS : 4.69 kg
: 6.25 kg
RSK : 614366632
LVI : 5886548
NRF : 4965317
: 9045713
: RS
: 84137021

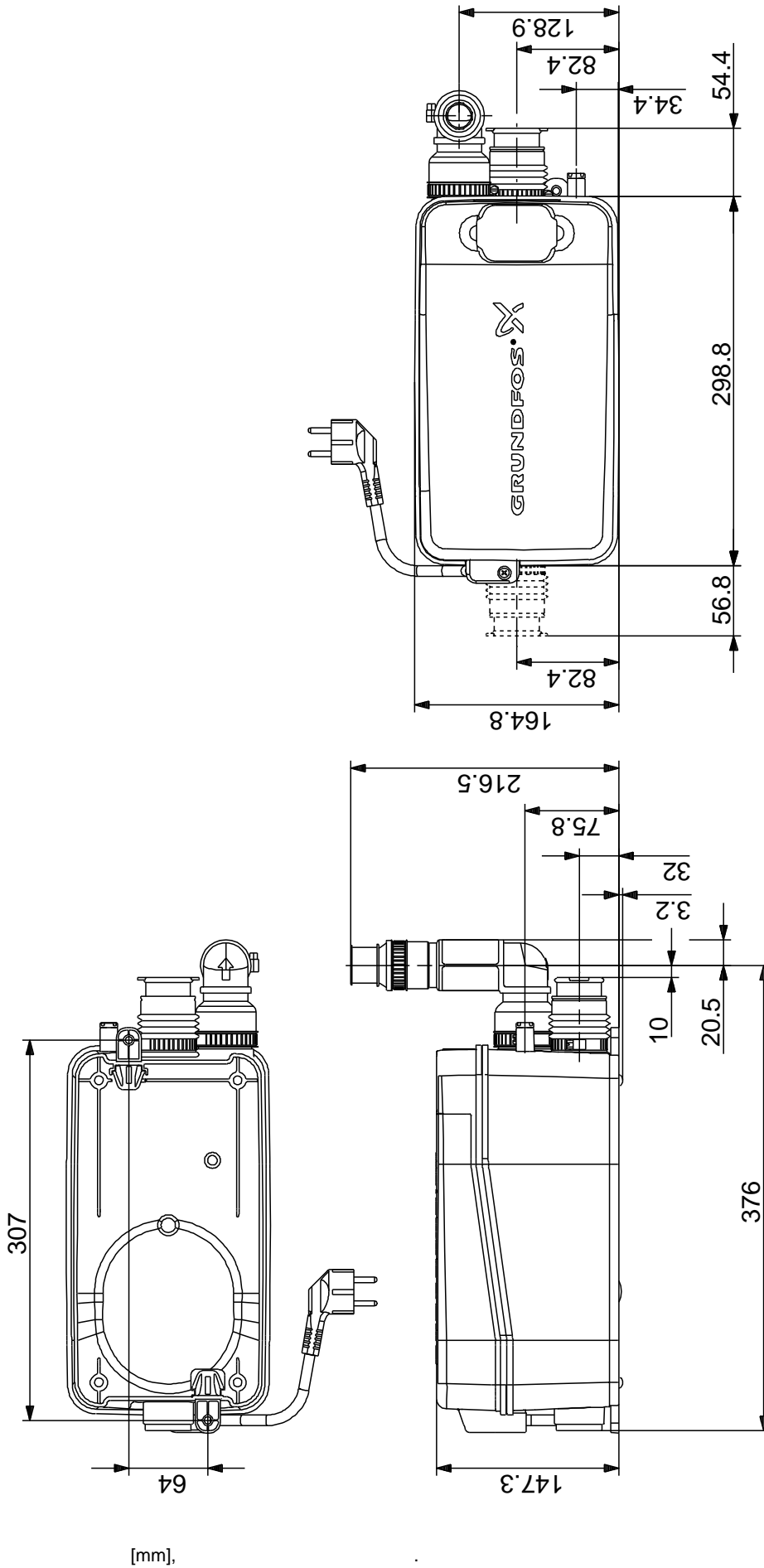
97775318 SOLOLIFT2 D-2 50 Hz



No.:	SOLOLIFT2 D-2
EAN	97775318
	5710624187272
	5.5 m
	CE, TR, VDEEMV, VDE, MORO
	ISO9906:2012 3B
	36/40/50
	22/32
	3X0,75MM2
Maximum liquid temperature:	50 °C
	998.2 kg/m ³
- 1:	280 W
	50 Hz
	1 x 220-240 V
	1.3 A
Cos phi -	0.95
	2800 rpm
(IEC 34-5):	IP44
(IEC 85):	F
	THERMIK S06-160-05
	1.2 m
	H05VV-F-3G
	SCHUKO
	4.69 kg
	6.25 kg
	International
VVS	614366632
RSK	5886548
LVI	4965317
NRF	9045713
	RS
	84137021



97775318 SOLOLIFT2 D-2 50 Hz



[mm]

97775318 SOLOLIFT2 D-2 50 Hz

