

1 LIFTAWAY C40-1



: 96003985

30-

Unilift P

10 mm.

DN 40

DN 40

DN 50.

DN 40.

UNILIFT P.

A1.

Maximum liquid temperature: 50 °C

: 1

ABS

3.2 kg

VVS : 391391040

RSK : 5885720

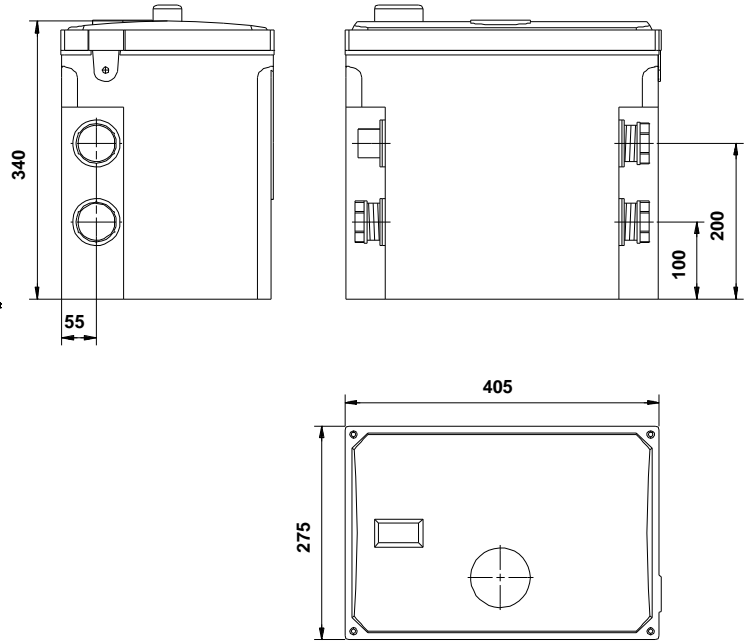
LVI : 4965355

NRF : 9045503

DE

: 84137021

No.:	LIFTAWAY C40-1
EAN	96003985
	5708601059148
	1
	ABS
Maximum liquid temperature:	50 °C
	KP150/KP250
	3.2 kg
VVS	391391040
RSK	5885720
LVI	4965355
NRF	9045503
	DE
	84137021



96003985 LIFTAWAY C40-1

